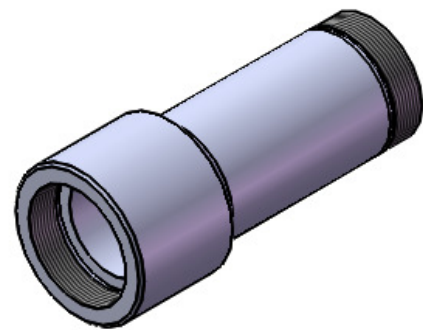
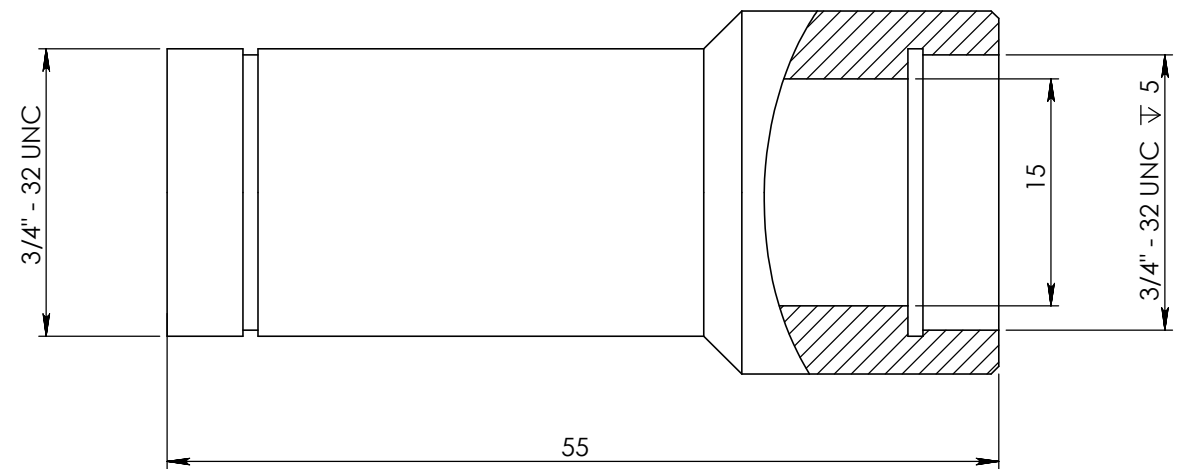
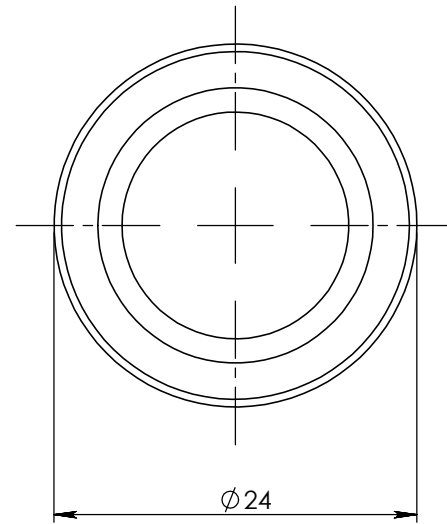



Information only, not for manufacturing



Scale 1:1

				DIMENSIONS IN MILLIMETERS (mm)		scale 2:1
				 DUMA OPTRONICS LTD.		
				TITLE: Alignmeter 50 - accessories: Hood 55		
				DWG NO. ALIGN-50_M_03		
				REVISION:		
				Do not scale drawing		
	NAME	SIGNATURE	DATE			
DRAWN	Yair		1.4.2012			
CHK'D	Oren		1.4.2012	MATERIAL:		
APPV'D	Judith		1.4.2012			