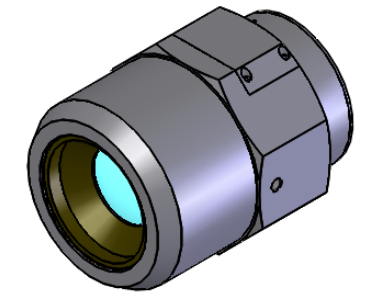
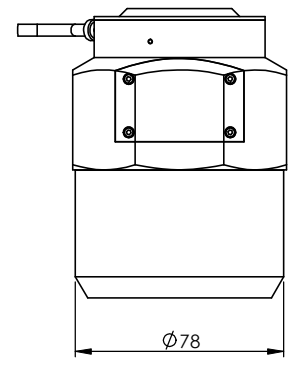
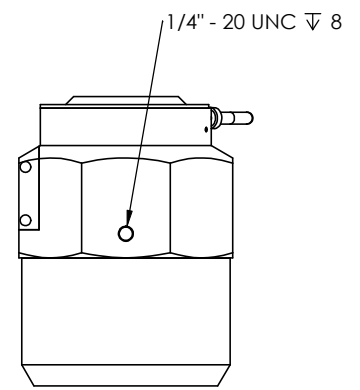
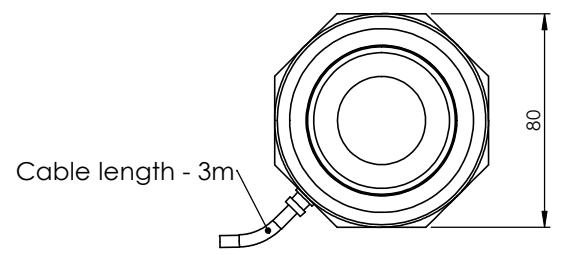
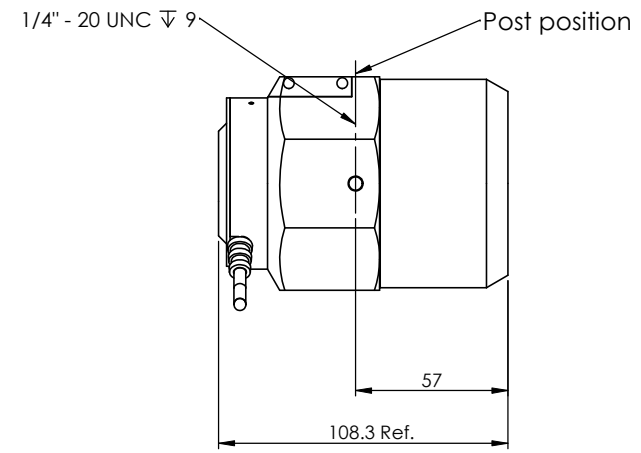
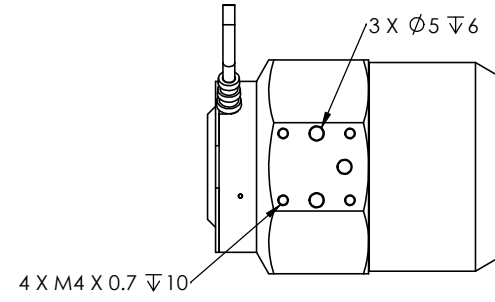



Information only, not for manufacturing



		DIMENSIONS IN MILLIMETERS (mm)		scale 1:2
		 DUMA OPTRONICS LTD.		
		TITLE: AngleMeter LA - 50 mm		
		Do not scale drawing		
		DWG NO. ANGLE-LA_01-50		
	NAME	SIGNATURE	DATE	
DRAWN	Yair		24.5.2012	
CHKD	Oren		24.5.2012	
APPVD	Judith		24.5.2012	