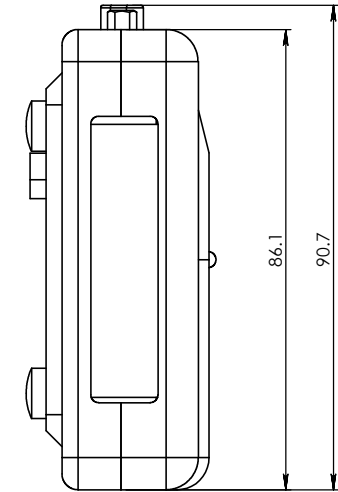
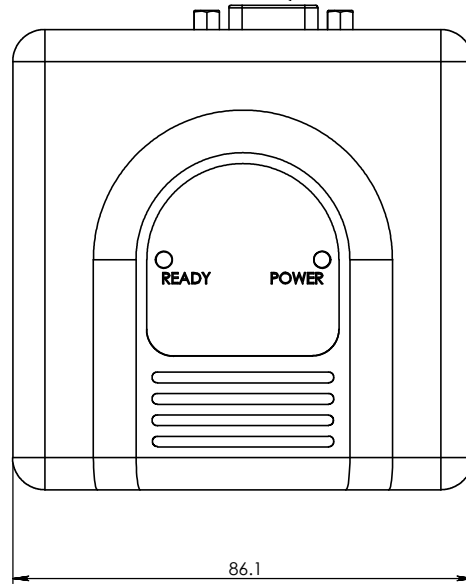
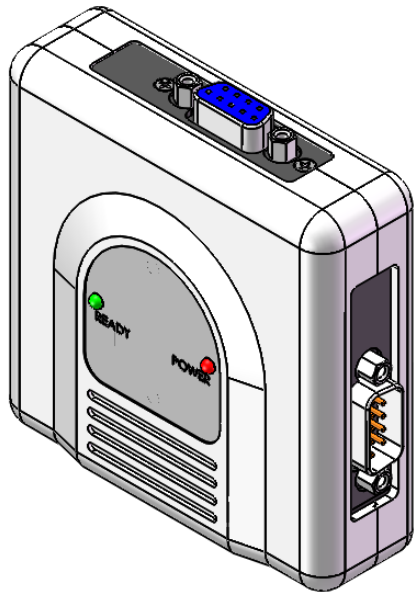
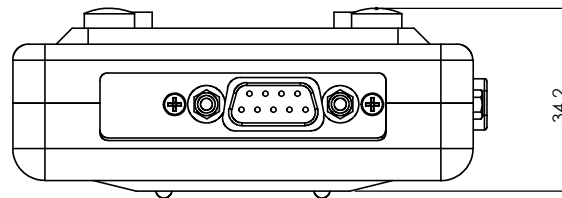



Information only, not for manufacture

Smart connector for:
 1. power supply
 2. analog output



Smart connector for detector



				DIMENSIONS IN MILLIMETERS (mm)		scale 1:1	
				 DUMA OPTRONICS LTD.			
				TITLE: AngleMeter LA - Manifold box - Analog Ver.			
				Do not scale drawing			
				DWG NO. ANGLE_LA_02_A			
	NAME	SIGNATURE	DATE				
DRAWN	Yair		8.6.2012				
CHKD	Oren		8.6.2012				
APPVD	Judith		8.6.2012				