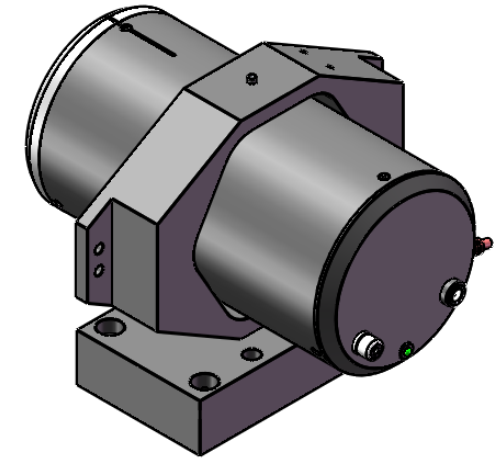
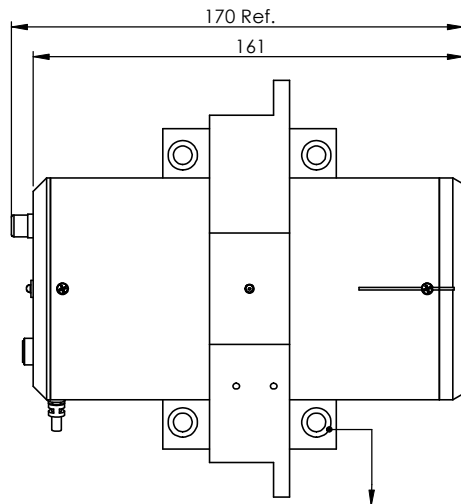
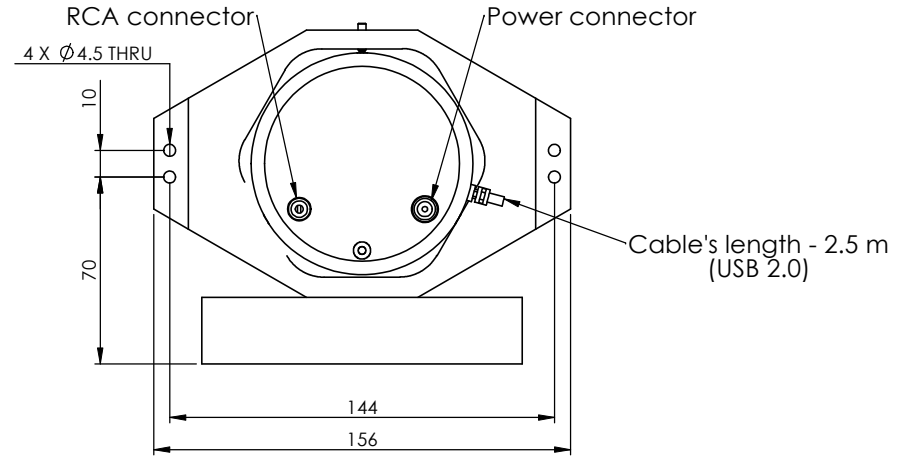
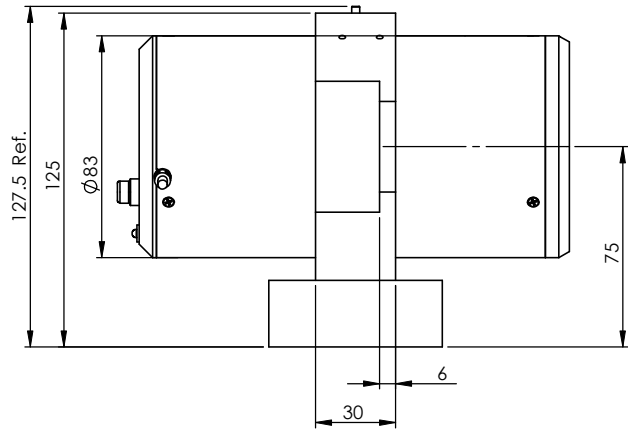
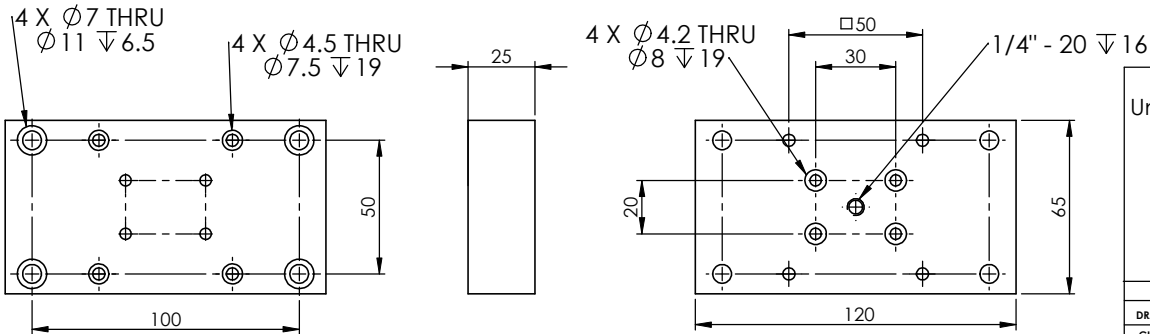


Information only, not for manufacture



Mounting base



Tolerances:
Unless otherwise
specified:

Linear: ± 0.1
Angular: ± 0.1

Do not scale drawing

	NAME	SIGNATURE	DATE
DRAWN	Yair		21.6.2012
CHKD	Oren		21.6.2012
APPVD	Judith		21.6.2012

DIMENSIONS IN MILLIMETERS (mm) scale 1:2



TITLE:
BeamOn Long Bow

DWG NO. BOLB_C_01