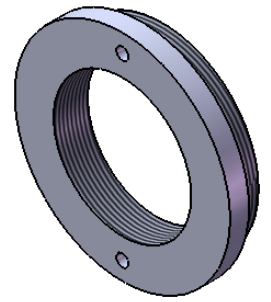
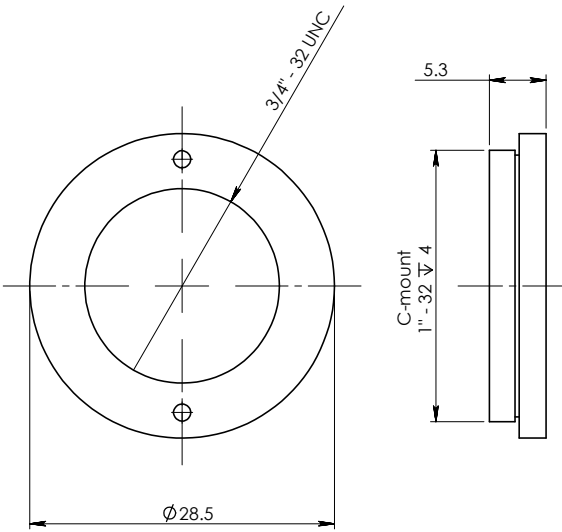


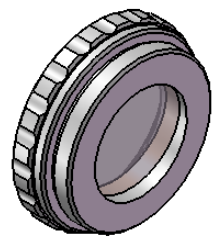
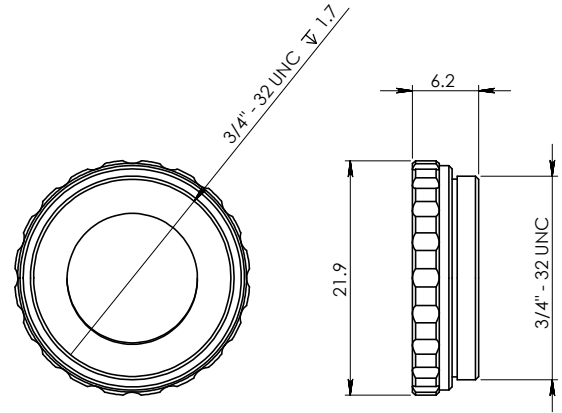
Information only, not for manufacturing

### C - Mount to 3/4" adaptor



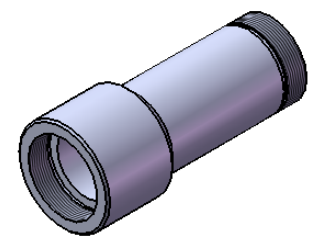
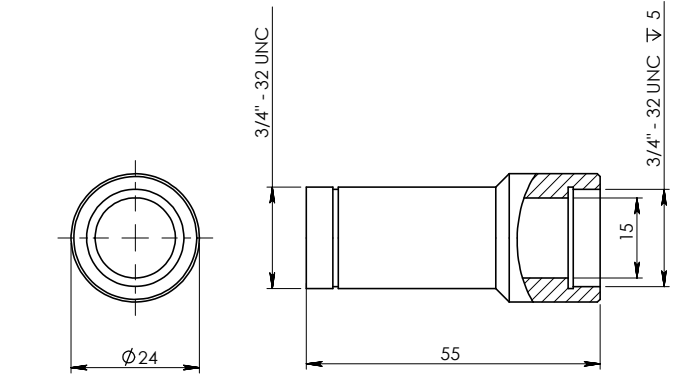
SCALE 2:1

### NG9 Filter



SCALE 2:1

### Hood



SCALE 1:1

DIMENSIONS IN MILLIMETERS (mm)



TITLE: SpotOn head - accesories

Do not scale drawing

DWG NO. SpotOn\_M\_08

	NAME	SIGNATURE	DATE
DRAWN	Yair		27.12.2011
CHKD	Oren		27.12.2011
APPVD	Judith		27.12.2011

MATERIAL:

REVISION: