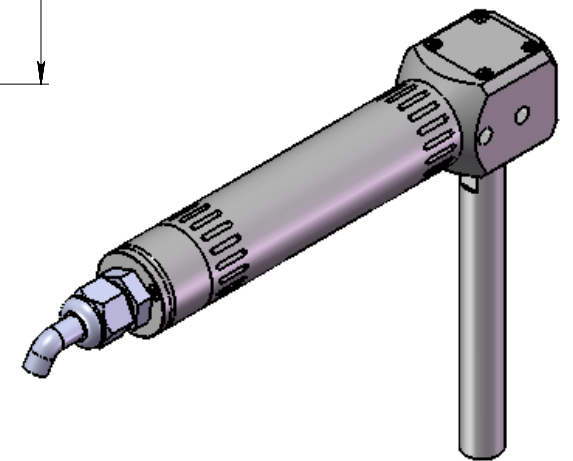
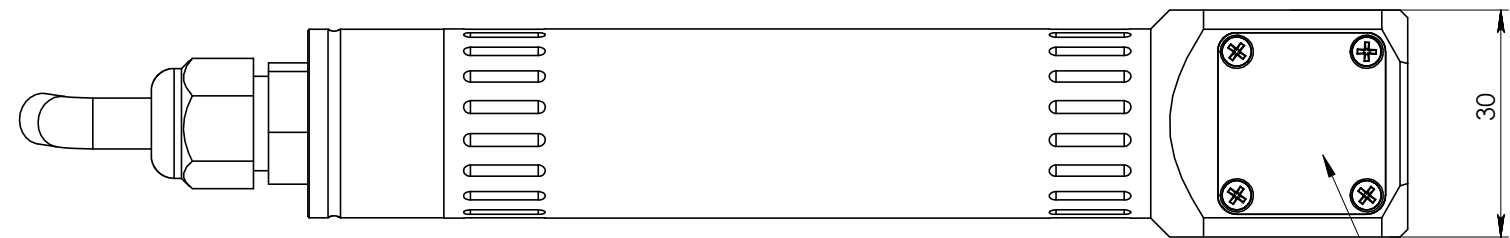
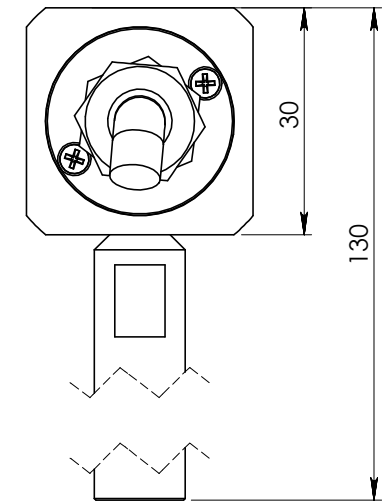
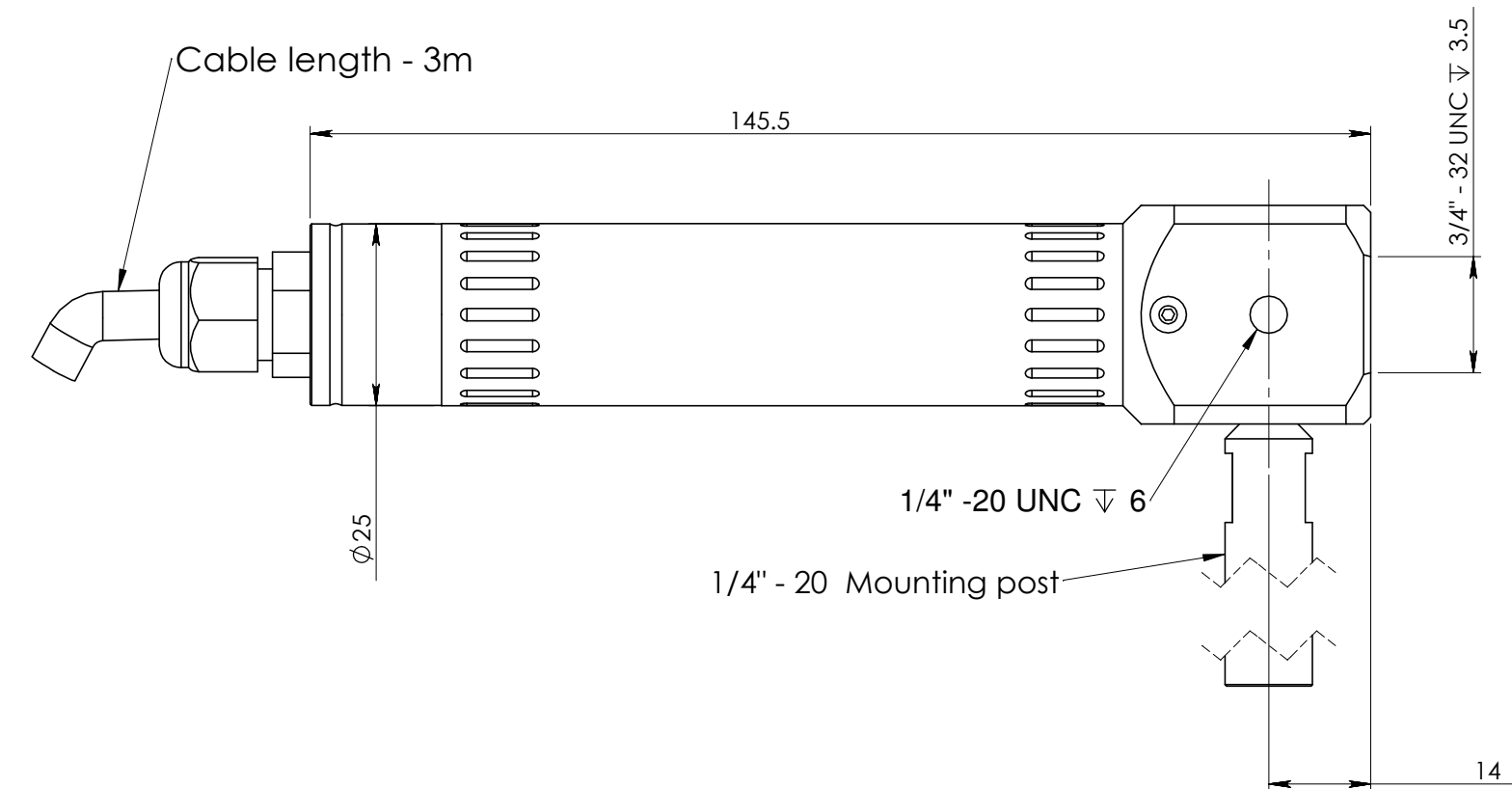
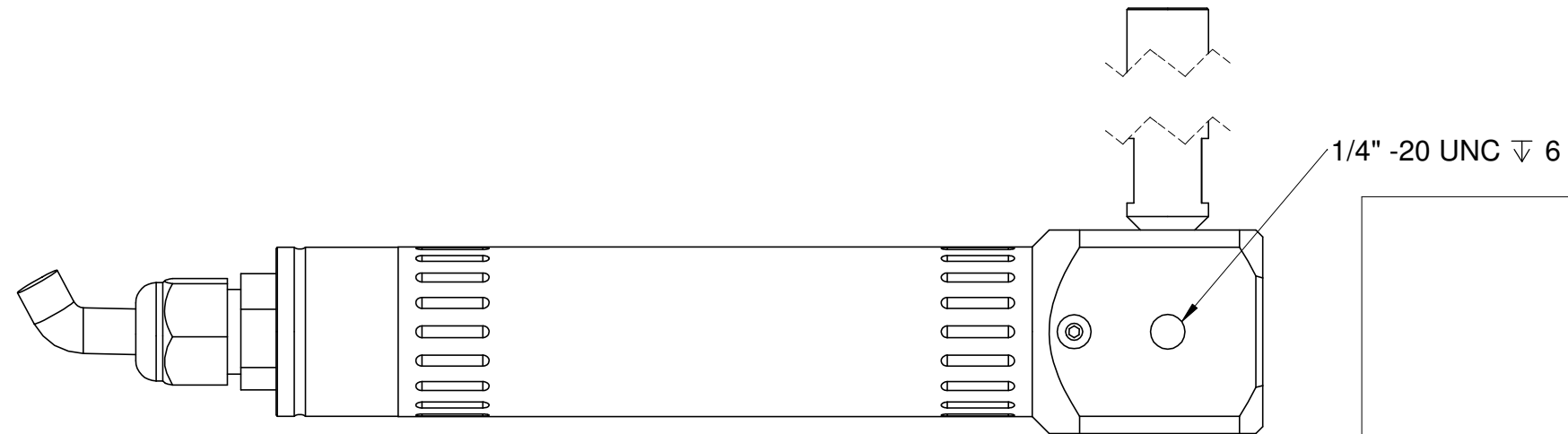


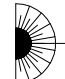
Information only, not for manufacturing



Alternative input operature



SCALE 1:2

				DIMENSIONS IN MILLIMETERS (mm)		scale 1:1
				 DUMA OPTRONICS LTD.		
				Alignmeter-USB-100		
				DWG NO. ALIGN-100_M_01		
				REVISION:		
Do not scale drawing						
	NAME	SIGNATURE	DATE			
DRAWN	Yair		1.4.2012			
CHK'D	Oren		1.4.2012			
APPV'D	Judith		1.4.2012			