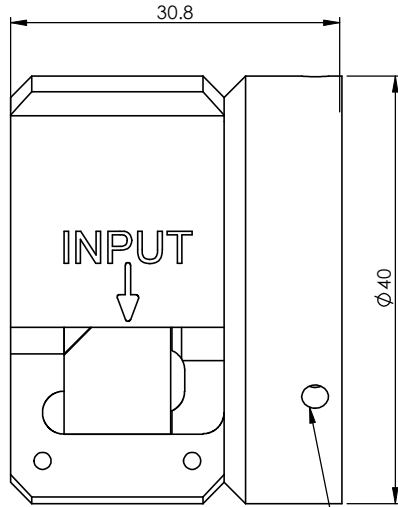
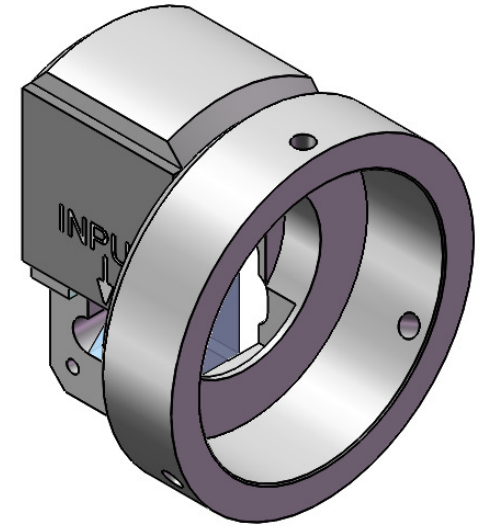
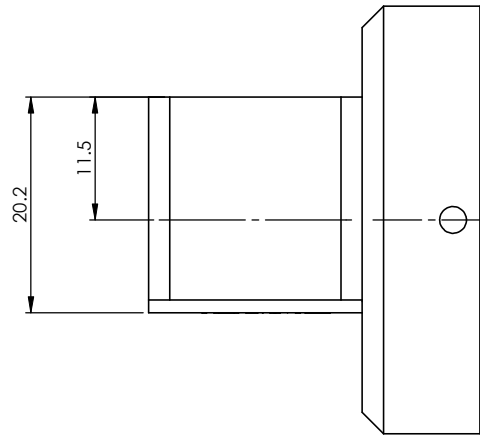


$\varnothing 32.3 \pm 0.2$



M3 X 0.5 Typ. X 3



Tolerances:  
Unless otherwise  
specified:

Linear:  $\pm 0.1$   
Angular:  $\pm 0.1$

Do not scale drawing

DIMENSIONS IN MILLIMETERS (mm) scale 2:1



TITLE:  
**SAM 3**

DWG NO.  
Access\_C\_03

	NAME	SIGNATURE	DATE
DRAWN	Yair		20.6.2012
CHKD	Oren		20.6.2012
APPVD	Judith		20.6.2012