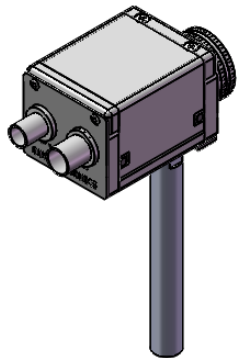
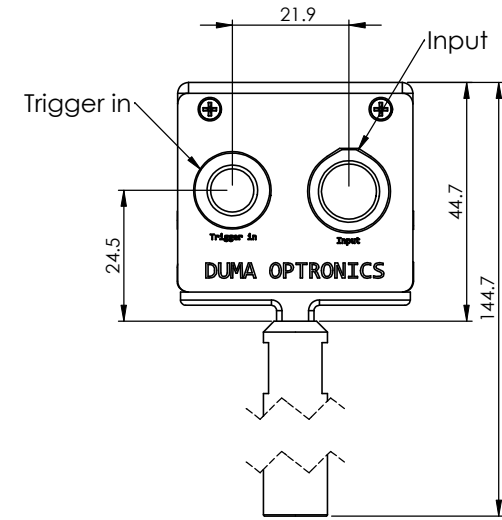
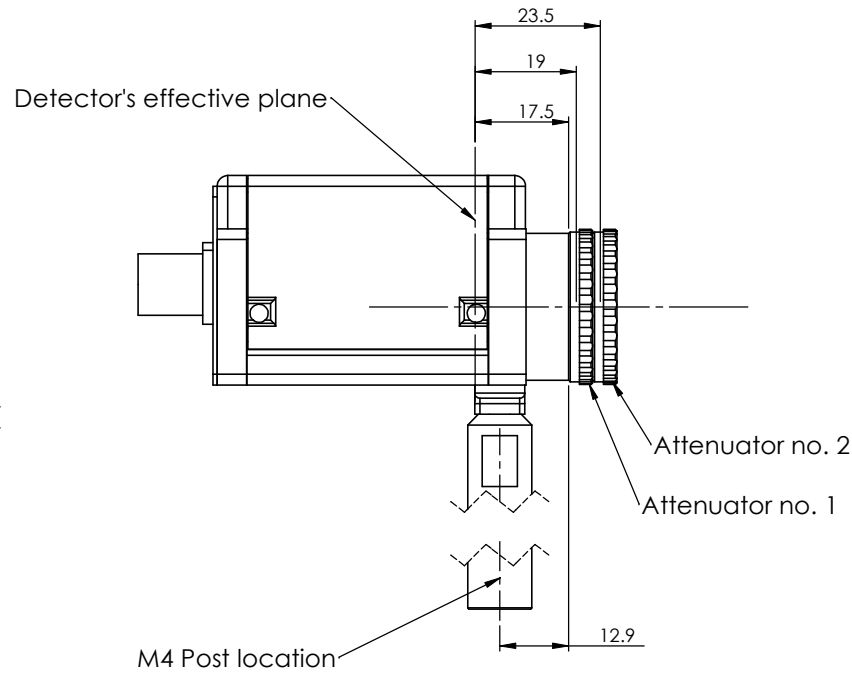
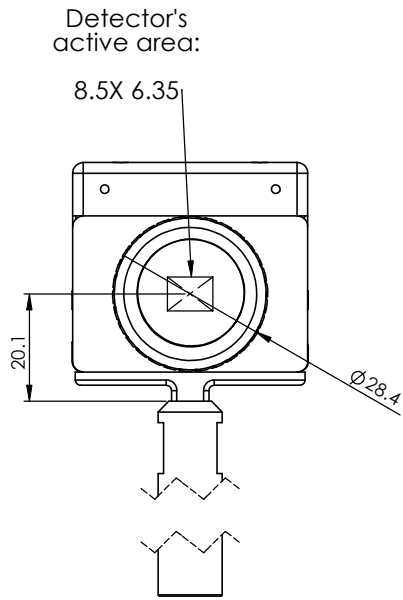
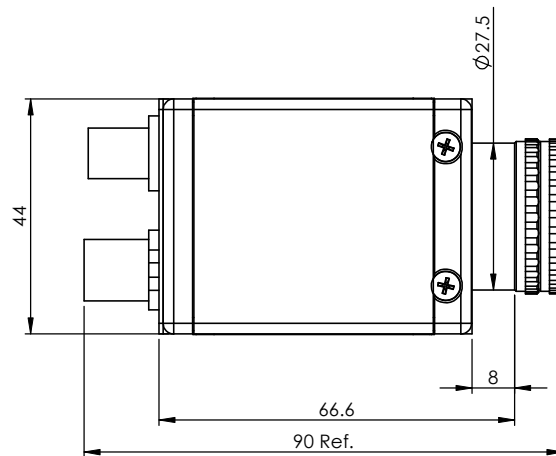


# Information only, not for manufacture



SCALE 1:2



Tolerances:  
Unless otherwise  
specified:

Linear:  $\pm 0.1$   
Angular:  $\pm 0.1$

Do not scale drawing

DIMENSIONS IN MILLIMETERS (mm) scale 1:1



TITLE:  
BeamOn 2/3"

DWG NO. BON\_2.3\_C\_01

	NAME	SIGNATURE	DATE
DRAWN	Yair		21.6.2012
CHKD	Oren		21.6.2012
APPVD	Judith		21.6.2012