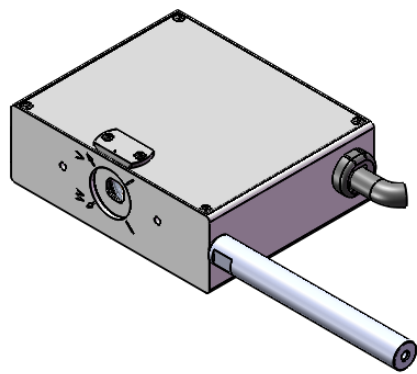
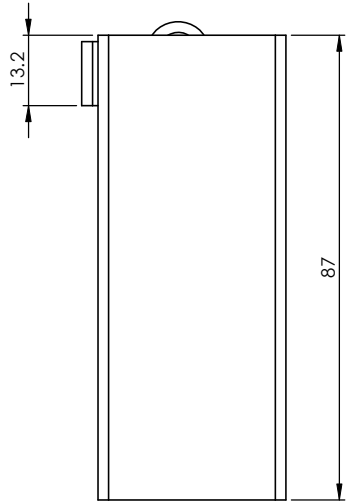
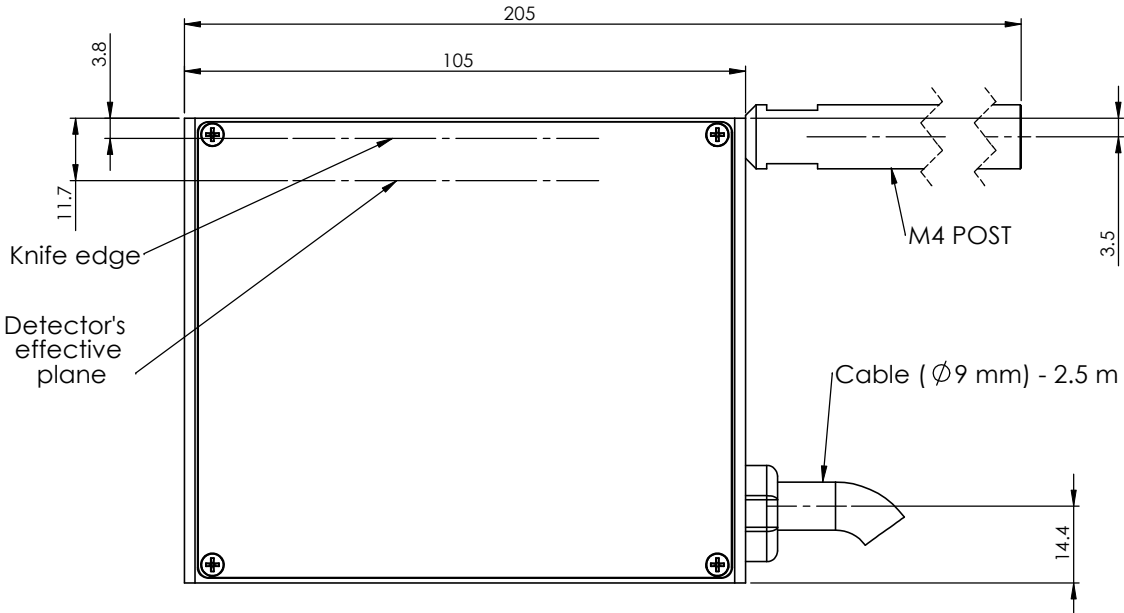
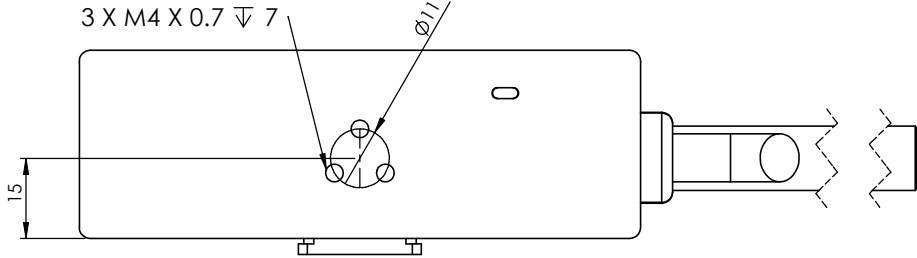
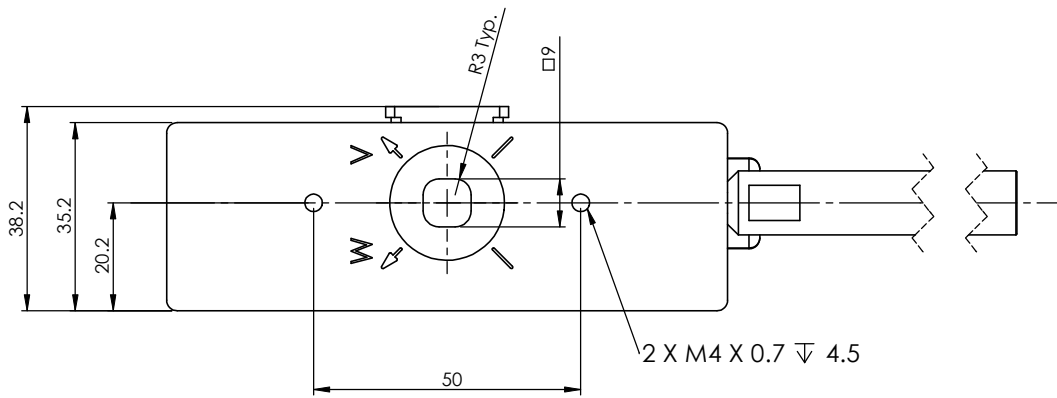


Information only, not for manufacture



Scale 1:2



Tolerances:
 Unless otherwise
 specified:

Linear: ± 0.1
 Angular: ± 0.1

Do not scale drawing

DIMENSIONS IN MILLIMETERS (mm) scale 1:1



TITLE:
BA7 - UV

DWG NO.
 BAN_C_06

	NAME	SIGNATURE	DATE
DRAWN	Yair		21.6.2012
CHKD	Oren		21.6.2012
APPVD	Judith		21.6.2012