

Beam Analyzer IR10

NEW

Features

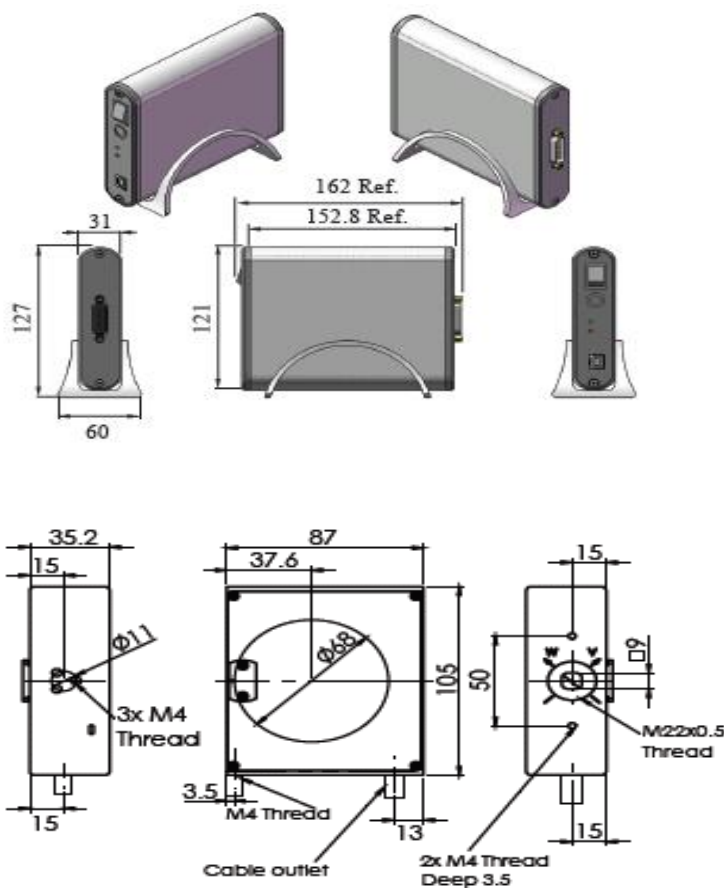
-Beam Analyzer USB system based on 10 mm dia. InGaAs sensor.

-BA7 InGaAs is a bridging technology offering high resolution measurements, producing 3-D intensity reconstructed profile similar to images obtained from C-MOS camera.

-Device belonging to [Beam Analyzer USB](#) family.

Specifications

| | |
|-----------------------|--|
| Sensor Type | InGaAs (IR) |
| Spectral Range | IR: 800-1800 nm |
| Number of Blades | 7 |
| Beam Size Range | 15 μ m to 10 mm (detector size- 10 mm) |
| Beam-width resolution | For beams > 100 μ m in size: 1 μ m. For beams <100 μ m in size: 0.1 μ m |
| Beam-width accuracy | \pm 2% |
| Power Range | 10 μ W to 5 mW (no filters) |
| Power Accuracy | \pm 10% |
| Position Resolution | For beams > 100 μ m in size: 1 μ m. For beams <100 μ m in size: 0.1 μ m |
| Position Accuracy | \pm 15 μ m |
| Saturation | 0.1 W/cm ² without filter |
| Measurement Rate | 5 Hz |
| Weight | Sensor head with cable - 755 gr, manifold box 350 gr |
| Operating Temperature | 0° – 35° C |
| PC Interface | USB 2.0 (PCI optional) |
| Accessories | SAM3-B Beam Sampler: with mounting adapter. Sampling reduction factor 0.0016 average BA-Fiber: A fiber adapter with an FC connector |



Ordering Information

Model BA7-IR10-USB: A camera for 800 – 1800 nm, a set of interchangeable filters NG4 & NG9, USB2.0 cable, software and user manual on CD/Flash Disc, carrying case.
For how power application, order SAM3-B Beam Sampler.

Note: The device should be handled carefully when exposed to high power, not exceeding 5 seconds continuously.

DUMA OPTRONICS LTD.

Website: <http://www.dumaoptronics.com>

E-mail: sales@duma.co.il

September 2019