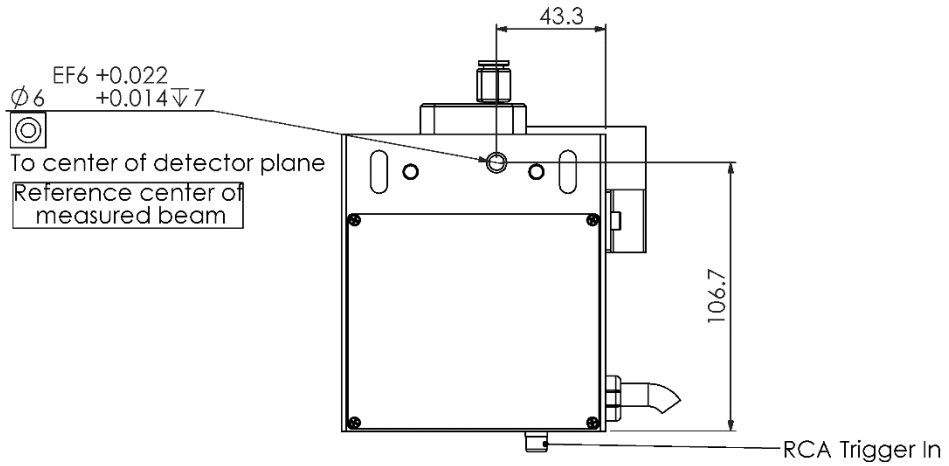
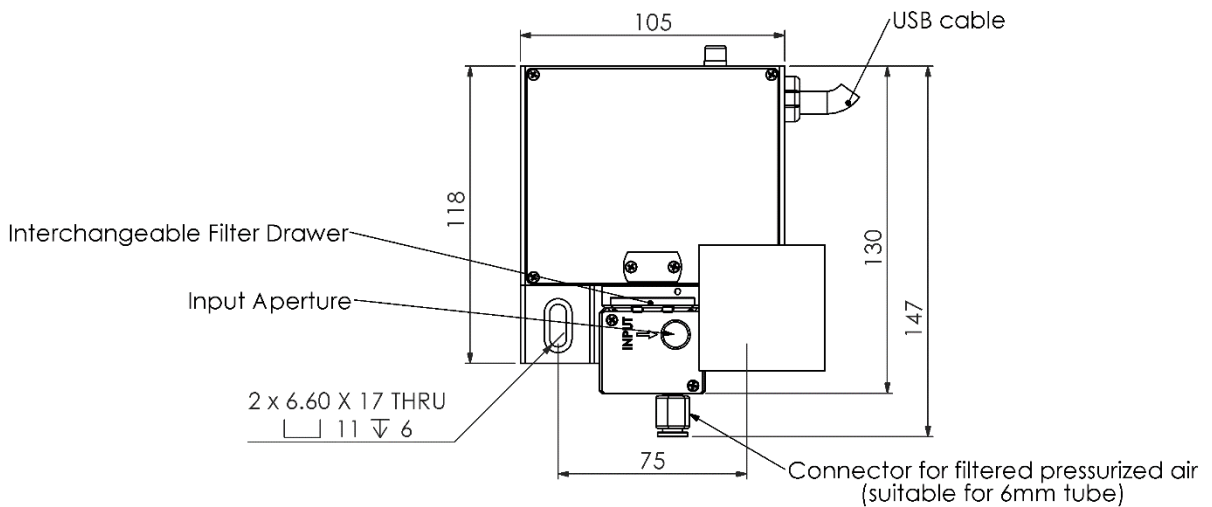
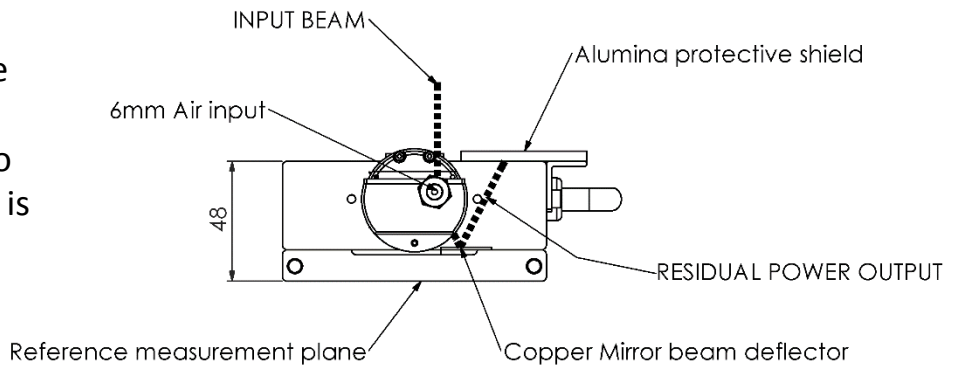


LAM U3 - Analyzer



Working distance between input aperture plane to measuring plane is about 41 mm.



Note: The device should be handled carefully when exposed to high power, not exceeding 5 seconds continuously.

DUMA OPTRONICS LTD.

Website: <http://www.dumaoptronics.com>

E-mail: sales@duma.co.il

January 2020