

SpotOn CCD

Expanding your positioning capabilities



- Industry's most cost-effective device.
- Minimum beam measurements down to 50 microns.
- Measures accurate position and profile.
- Maximum frame rate - over 50 Hz.
- Wide spectral range 350 - 1310 nm.
- Optional: Stand-Alone unit.

Specifications

Beam size range	ø50 µm - ø5 mm
Spectral Response	350 - 1310 nm *special version 1550 nm
Sensor Resolution	1280 x 1024
Optical dynamic range	Up to 10 ¹¹ using all filters and software controlled electronic shutter and gain
Sensitivity	~0.5 nW/cm ² @ 633 nm ~15,000 nW/cm ² @ 1310 nm (15 µW/cm ²)
Saturation	~1mW/cm ² , no filters
Power measuring	With user's pre-calibration at a selected point
Dimensions	ø63 mm x 51 mm deep
Environment Operating Temperature	0° - 35° C
Weight	300 gr with cable
Filters	NG-4, NG-9, NG-10

Interface	USB 2.0
Sensor type	1/1.8" format
Sensor active area	6.78 (w) x 5.4 (h) mm (diagonal 8.7 mm)
Pixel size	5.3 µm (H) x 5.3 µm (V)
Shutter speed	9 - 200,000 µsec
Damage threshold	50 W/cm ² with filters
Maximum frame rate	Over 50 Hz
Null	In CW mode, null function is available to automatically subtract background
Operation with pulsed lasers	Ability to capture and replay pictures and statistics from a slowly pulsing laser (1-100 Hz) while filtering out frames with no laser pulse. Gain control and external filters make it easy to obtain optimum intensity
Trigger	<ul style="list-style-type: none"> - Hardware Falling Edge - Hardware Rising Edge - Enable/Disable Trigger Delay - Trigger Delay 0.015ms - 4.0 sec

Ordering Information

The system comes with a camera, a set of 2X NG10 filters in housing, a mounting post, USB attachment, software on CD/Flash, carrying case.

SPOTCCD-VIS-USB: System with USB interface, camera for VIS range 350-1100nm

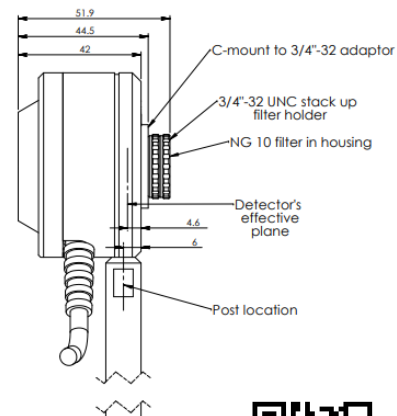
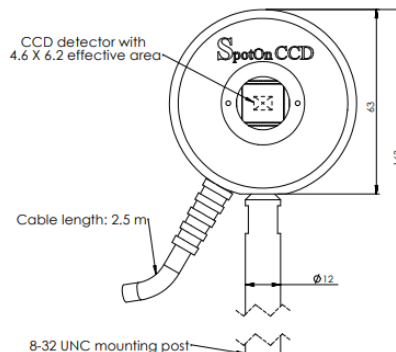
SPOTCCD-UV-USB: System with USB interface, camera for UV range 190-1100nm

SPOTCCD-IR1310-USB: System with USB interface, camera for 350-1310nm

SPOTCCD-IR1550-USB: System with USB interface, camera for IR range 1550±50nm

Host Computer Requirements

Win 7/8/10 OS, Pentium I3, RAM 4GB, USB 3.0, Min. Resolution 1366 x 766



DUMA OPTRONICS LTD.

Website: <http://www.dumaoptronics.com>

E-mail: sales@duma.co.il

June 2022

