



BeamOn X

Expanding your profiling capabilities



- Industry's most cost-effective device.
- Minimum beam measurements down to 50 microns.
- Measures accurate position and profile.
- Maximum frame rate - over 50 Hz.
- Wide spectral range 350 - 1310 nm.
- Optional: Stand-Alone unit.

Specifications

Laser Type	CW & Pulsed
Beam width resolution	1 micron or better
Beam Size	ø50 µm - ø5 mm
Spectral Response	350 - 1310 nm
Resolution (H x V pixels)	1280 x 1024
Sensor Active Area (mm)	6.78 (w) x 5.4 (h) mm (diagonal 8.7) Sensor can be divided into multiple active areas, working in parallel for up to 400 sectors (NEW)
Gain Control	x4
Dynamic Range	60 dB
Exposure Speed	9 µsec – 1 sec
Frame Rate	50 fps – up to 700 fps @ fast mode (NEW)
Sensor type	CMOS – 1/1.8" format
Beam width accuracy	±2%
Position resolution	1 µm
Pixel Size	5.3 µm x 5.3 µm
Pixel Bit Depth	8/10 bits

Sensitivity	~0.5 nW/cm ² @ 633 nm ~15,000 nW/cm ² @ 1310 nm (15 µW/cm ²)
Saturation	~1 W/cm ² , no filters
Power Measuring	With user's pre-calibration at a selected point
Damage Threshold	50 W/cm ² with filters
Background Subtraction	Automatic
Trigger	<ul style="list-style-type: none"> • Internal Software • Hardware Falling or Rising Edge • Trigger Delay 0.015ms - 4.0 sec
Power Requirements	~2 Watt (Via USB 3.0 interface)
Dimensions (L x W x H) in mm	ø63 mm x 51 mm deep
Weight (typical)	300 gr with cable
Min. Hardware Requirements	CPU i3 1.6 GHz, 4 GB RAM Min. Resolution 1366 x 766
Interface	USB 3.0, Windows 7/8/10 (32 & 64 bit)
Mechanical Interface	Post mounting: 8-32 UNC, 6 mm depth
Operating Temperature	0° – 35° C

Ordering Information

Model BEAMON-X-FW: Complete system with a camera, post, built-in filter wheel with a set of 3 filters (NG4,NG9,NG10) in housing, software on Flash Drive, carrying case.

Model BEAMON-X: Complete system with a camera, post, software on Flash Drive, carrying case.



DUMA OPTRONICS LTD.

Website: <http://www.dumaoptronics.com>

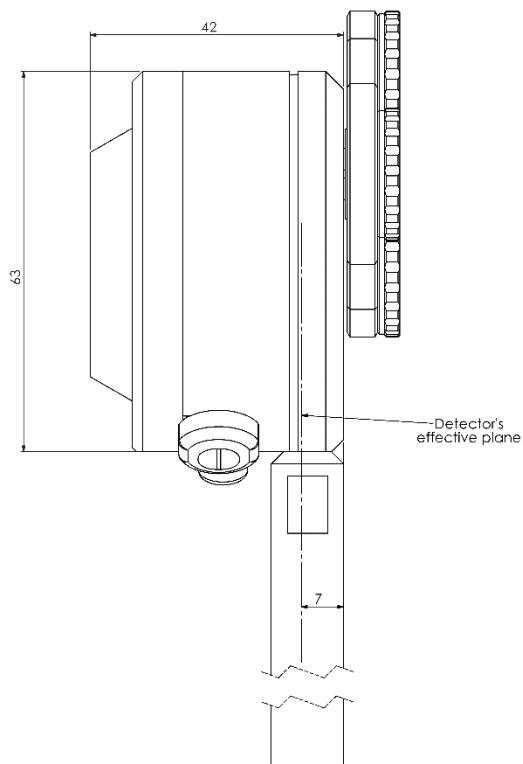
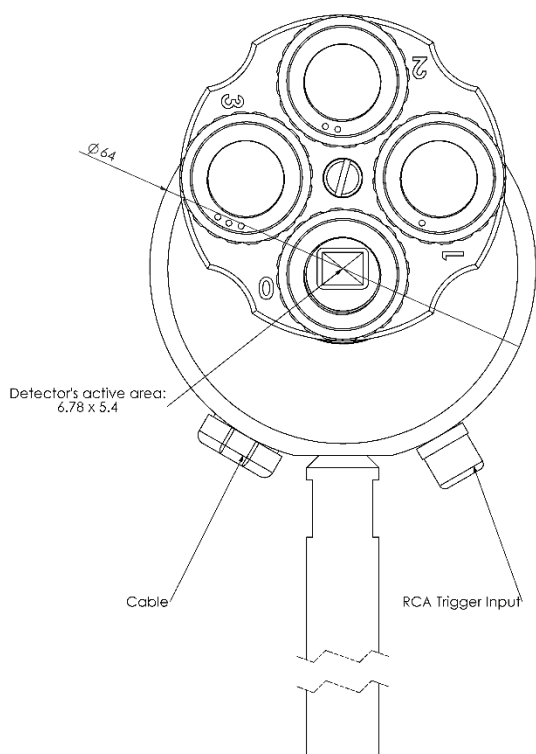
E-mail: sales@duma.co.il
November 2020



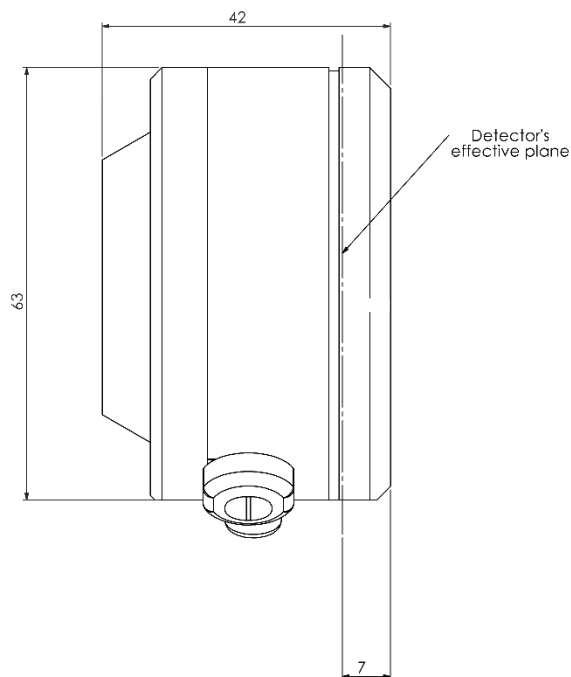
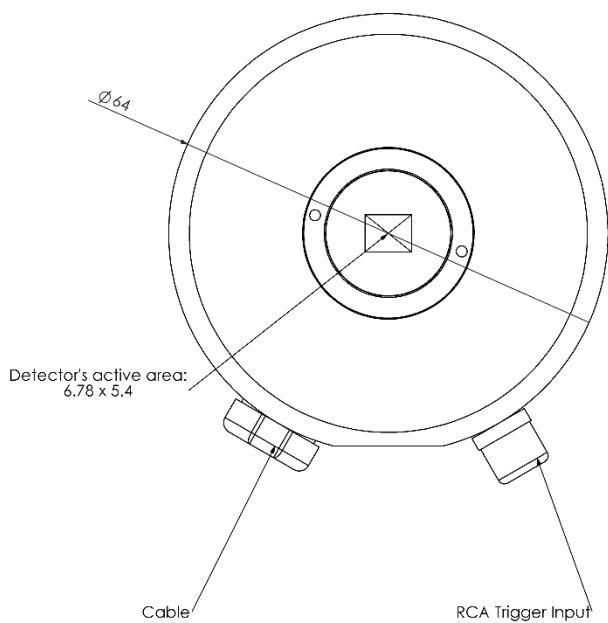
BeamOn X

Expanding your profiling capabilities

With Filter Wheel & Post



Without Filter Wheel



DUMA OPTRONICS LTD.

Website: <http://www.dumaoptronics.com>

E-mail: sales@duma.co.il

November 2020