

AlignMeter - Wireless

NEW

Wireless Real-Time Laser Position & Angular Displacement



Specifications

PSD size for position	9 x 9 mm
Usable beam size range	50 μ m to 8 mm
Update rate	Max. 100 Hz
Spectral range	350 - 1100 nm (calibrated at visible 400-700 nm)
Position measurement range	9 x 9 mm square
Position resolution	Better than 1 micron
Power range	100 μ W - 10 mW with filters
Power accuracy (*)	\pm 5%
Angle measurement range	80 mRad
Angle resolution	0.001 mRad (50 Hz Filter)
Software Package	Complete Software Package for Windows, including DLL for custom applications.
Weight	280 gr

Features

- Analyzes angular directions (θ_x θ_y) and position direction of incoming laser beam into its aperture
- Versatile - Measures Power and Angular incoming direction using PSD detector technology
- Precise: Down to 0.1 μ m resolution & 50 Hz digital filter, and down to 0.005 mRad resolution.
- Focal length - 100 mm
- Wireless (Bluetooth 4.0)

Ordering Information

Complete system including measuring head, software and user manual on CD/Flash Drive, charging cable, carrying case.

ALIGN-WL-100-9x9:

Measuring head with focal length f=100mm

Optional Accessories:

ADPT-WL: Mounting adaptor for articulated arm

ALIGN-FLT-NG4: NG4 filter in housing

ALIGN-FLT-NG9: NG9 filter in housing

ALIGN-FLT-NG10: NG10 filter in housing

ALIGN-HOOD: 55mm long, for ambient light suppression

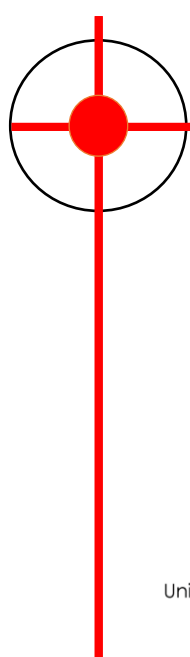
DUMA OPTRONICS LTD.

Website: <http://www.dumaoptronics.com>

E-mail: sales@duma.co.il

March 2024

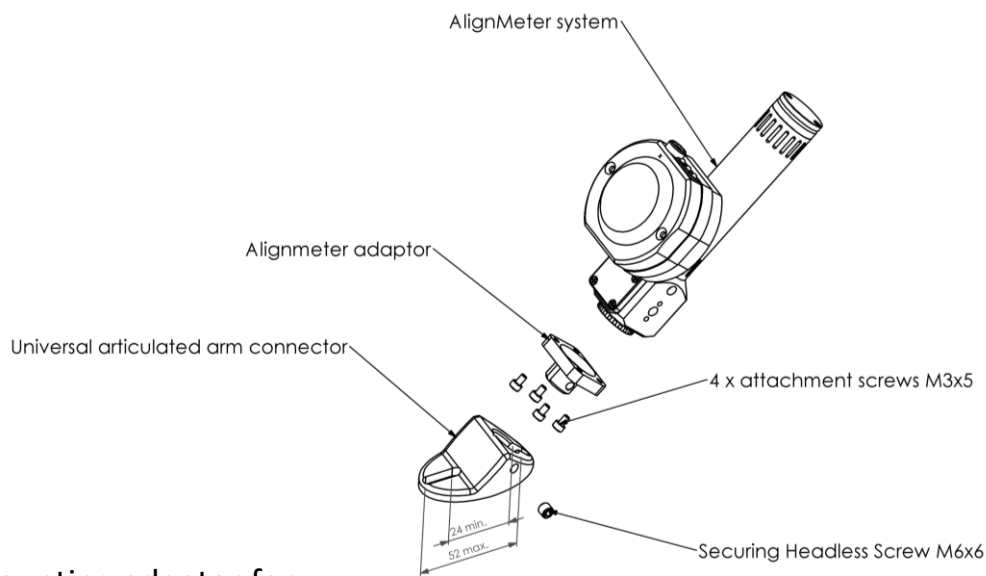




AlignMeter - Wireless

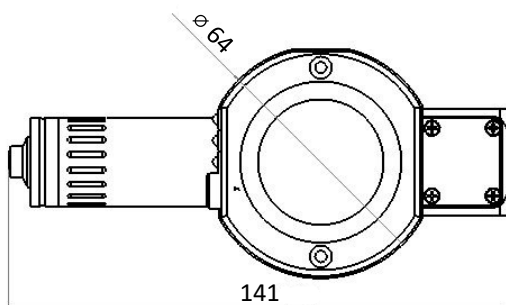
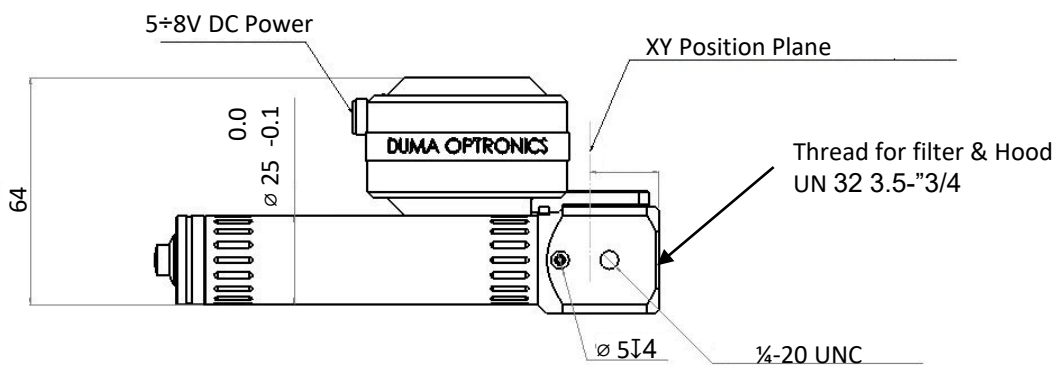
NEW

Wireless Real-Time Laser Position & Angular Displacement



Mounting adaptor for articulated arm drawing

Typical Application for articulated arm



Dimensions are in mm.

DUMA OPTRONICS LTD.

Website: <http://www.dumaoptronics.com>

E-mail: sales@duma.co.il

March 2024

