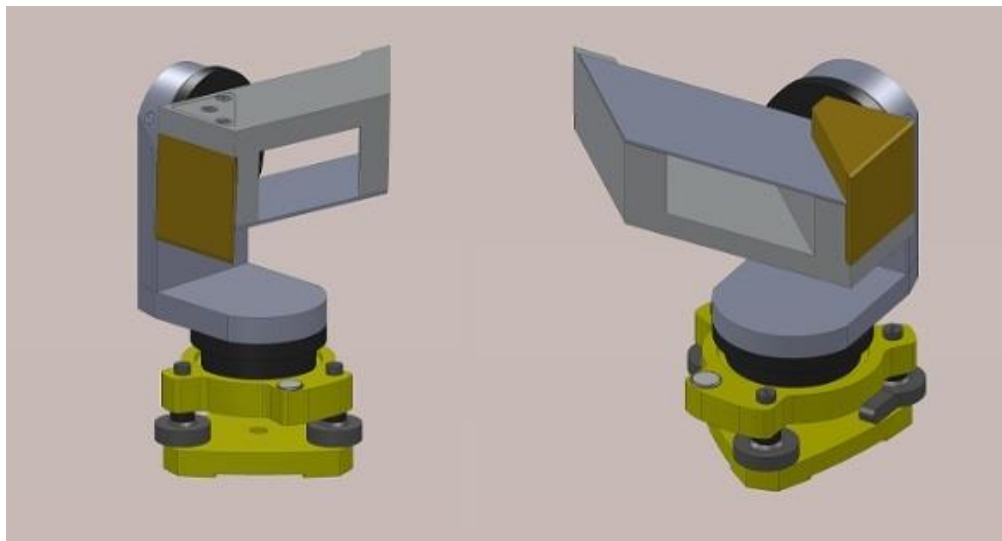




Adjustable Lateral Offset Device (LOD)



The Adjustable Lateral Offset device (LOD) is used to perfectly cancel offset between two optical line of sights:

- The parallax cancelling is perfectly preserving parallelism between original lines of sight
- Standard +/- 3 arc sec
- Monolithic design

The LOD is mounted on a concentric dual axis rotational device, capable of rotating the LOD along yaw and roll directions.

It provides a perfect solution for offset canceling between two parallel lines of sights.

Applications:

- Bore-sighting between sights and laser devices
- Checking parallelism of linear guides
- Checking parallelism of rotating rollers
- Adjustment of folded laser resonator cavity

The special configuration enables the user to adjust the offset span in two modes, as seen in the drawings herein.



Specifications:

Mode 1: Adjusting the yaw direction only

The Lateral Offset adjustment will be between 70 mm and 130mm.

Adjustment diameter of Roll & Yaw is between 140mm – 260mm diameter.

The system which comprises of an optical high accuracy periscope, mounted on a dual axis rotational mount system, which by rotation of periscope the distance between incoming and out-coming light is changed according to specification.

The standard periscope is 100mm offset, however special monolithic periscopes can be designed for specific applications.

