

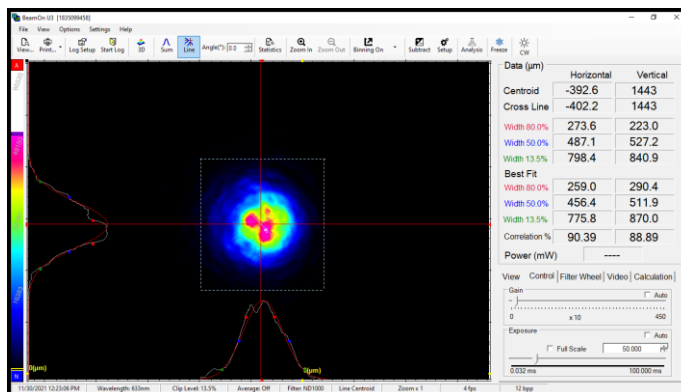
# BeamOn HR 4/3"

**NEW**

Innovative 47 MP (19.1 x 13 mm) Beam Profiler with enhanced sensitivity at NIR, exceeding 1350 nm

Multiple active areas for multi beam analysis

Versatile – Measures **Profile, Power and Position**



## Specifications

<b>Laser Type</b>	CW & Pulsed
<b>Beam width resolution</b>	1 micron or better
<b>Max. Resolution (H x V pixels)</b>	8288 x 5644
<b>Beam Size Elliptical Beams</b>	∅25 µm - ∅12.5 mm ∅25 µm - 12.5x18.5 mm
<b>Spectral Response</b>	350 – 1600 nm (VIS NIR)
<b>Sensor Active Area (mm)</b>	Diagonal 23.2 mm 19.1 x 13, sensor can be divided into multiple active areas, working in parallel for <b>up to 400 sectors (NEW)</b>
<b>Gain Control</b>	Up to 570
<b>ADC Dynamic Range</b>	16 bit
<b>Shutter Speed</b>	Shutter - 32 µsec to 2 sec

<b>Min. Pixel Size</b>	2.3 µm x 2.3 µm
<b>Exposure Control</b>	Programmable via GUI
<b>Accessories</b>	-IR Edge Filter -C-Mount Filter
<b>Power Supply</b>	1.2 [W] , 0.24 [A]
<b>Housing Size in mm</b>	∅62 (see drawing)
<b>Weight (typical)</b>	300 gr.
<b>Min. Hardware Requirements</b>	CPU i5 1.6 GHz, 4 GB RAM
<b>Interface – USB 3.0</b>	Windows 8/10/11
<b>Cable length</b>	2 [m]
<b>Mechanical Interface</b>	Post mounting: M4 Optical attachments & filters: C-mount

<b>Wavelength</b>	633	980	1310	1550
<b>Saturation</b>	20 µW/mm <sup>2</sup>	100 µW/mm <sup>2</sup>	0.2 W/mm <sup>2</sup>	0.5 W/mm <sup>2</sup>
<b>Sensitivity</b>	Better than 1 nanoW/mm <sup>2</sup>	Better than 1 nanoW/mm <sup>2</sup>	20 µW/mm <sup>2</sup>	2 mW/mm <sup>2</sup>

## Ordering Information

**BEAMON-4/3"**: The system consists of a camera, cable, mounting post, carrying case, ND1000 Filter, software on a CD/Flash Drive.

**DUMA OPTRONICS LTD.**



Website: <http://www.dumaoptronics.com>

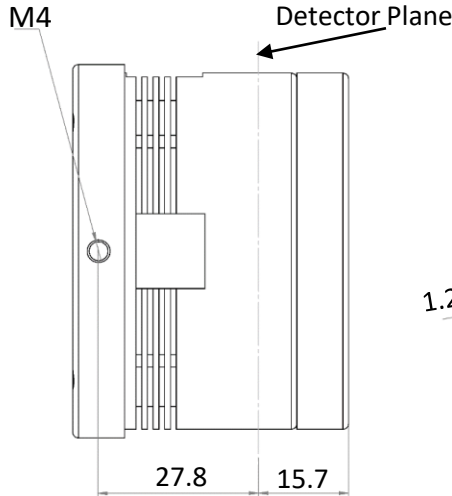
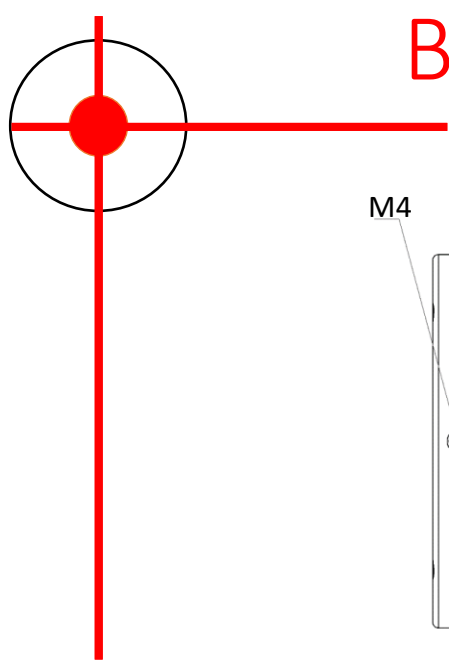
E-mail: [sales@duma.co.il](mailto:sales@duma.co.il)

March 2023

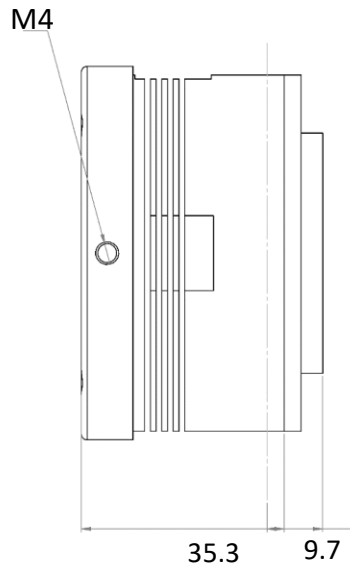
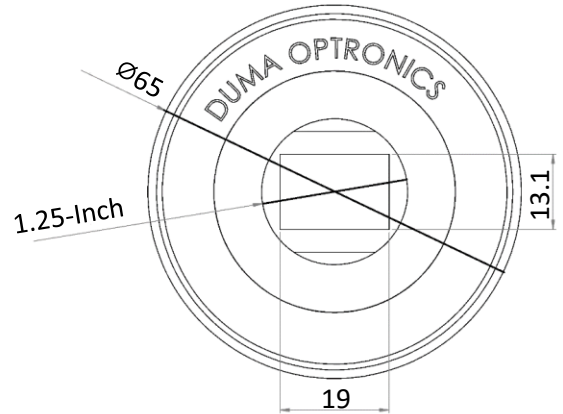
# BeamOn HR 4/3"

**NEW**

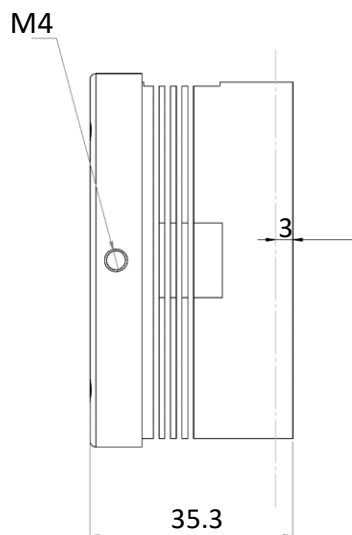
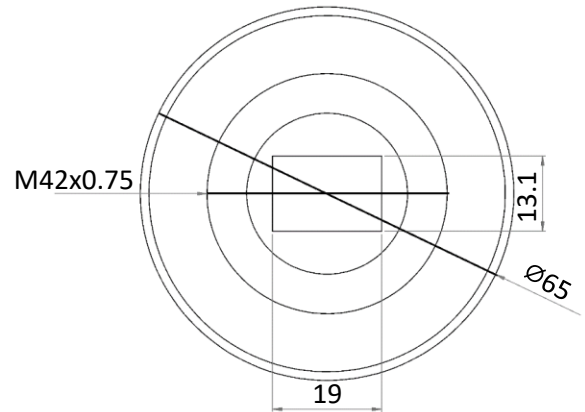
With Built-In Accessories



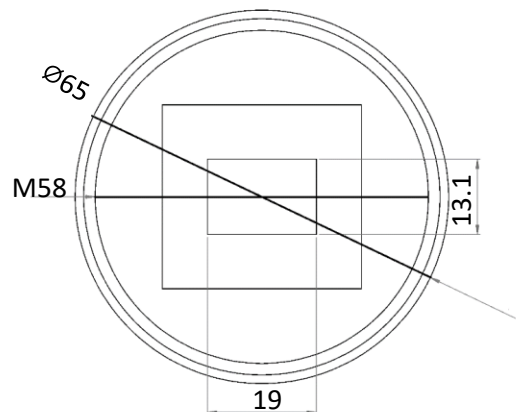
Standard Assembled Camera



42 mm Mounted Cover



Exposed Detector



Dimensions are in mm.

## Ordering Information

**BEAMON-4/3"**: The system consists of a camera, cable, mounting post, carrying case, ND1000 Filter, software on a CD/Flash Drive.

# DUMA OPTRONICS LTD.



Website: <http://www.dumaoptronics.com>

E-mail: [sales@duma.co.il](mailto:sales@duma.co.il)

March 2023

