

Electronic Autocollimator - E

UPGRADED

A versatile compact extremely accurate autocollimator



- Precise USB3.0 device combining the functionality of autocollimator with focusing feature for alignment.
- High resolution of down to 0.01 arc sec or 0.05 μ rad, with clear aperture of 36 mm.
- Built-in computer controlled laser pointer for easy alignment.
- Built-in Pan & Tilt adjusting mechanics.
- Hybrid autocollimator fusing together alignment & beam analysis.

Specifications

FoV Autocollimator	$\pm 40'$ (H) x $\pm 25'$ (V)
FoV Telescope & Beam Profiler	$\pm 1^{\circ}20'$ (H) x $\pm 50'$ (V)
Clear Aperture	36 mm
Autocollimator's Resolution	0.01 sec
Autocollimator's Accuracy	1.0 sec
Light Source	LED: 670 nm Optional: RGB / 850 / 1060
Retro-reflector for Alignment	$\varnothing 35$ mm, N.W 160 g, <5"
Line of Sight Retention as Function of Focusing	± 2.5 seconds
Min. Focusing Distance	18 cm
Built-in Coarse Aiming Laser Pointer	650 nm power <1.0 mW Class 2 laser product, IEC60825-1
Spectral Response	350 - 1100 nm (Telescope Mode)

Resolution (H x V pixels)	1920 x 1200 Can be divided into multiple working areas, in parallel for up to 400 sectors
Gain Control	x400
Dynamic Range	8/16 bit
Exposure Speed	39 μ sec to 2 sec
Frame Rate	30 fps (16 bit full resolution) Optional - Up to 250 fps (8 bit) minimum AOI – Hardware dependent
Sensor type	Proprietary CMOS
Pixel Size	5.86 μ m x 5.86 μ m
Background Subtraction	User activated
Trigger	Internal Software
Pan & Tilt Adjustment Range	Large Pan, Tilt $\pm 2.5^{\circ}$,
Power Requirements	~ 2 Watt (Via USB 3.0 interface)
Dimensions (L x W x H) in mm	250 x 125 x 190
Weight (typical)	3 kg including cable
Min. Hardware Requirements	CPU i5 1.6 GHz, 4 GB RAM Min. Resolution 1366 x 766
Interface	USB 3.0, Windows 8/10/11 (32 & 64 bit)
Operating Temperature	10 $^{\circ}$ – 35 $^{\circ}$ C

Ordering Information

EAC-1012-19-E: Complete system including a collimator unit with USB3.0 camera, software on CD and a retro-reflector for infinity adjustment.

DUMA OPTRONICS LTD.



Website: <http://www.dumaoptronics.com>

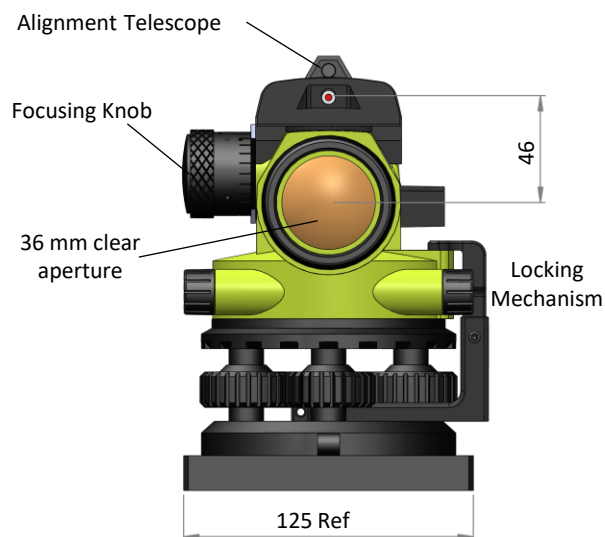
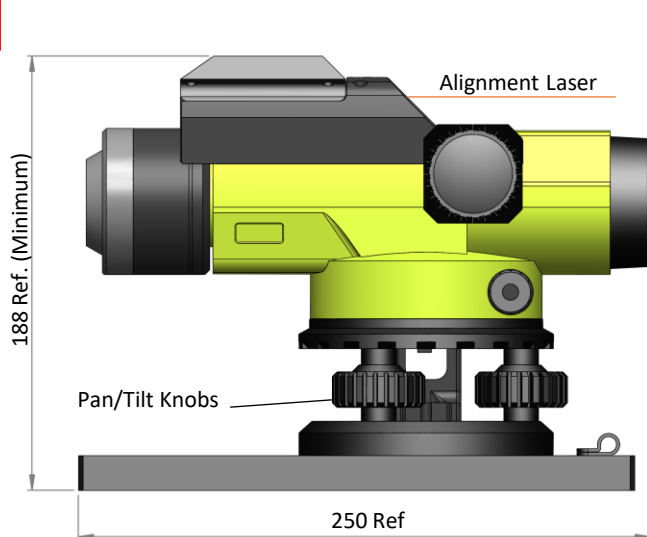
E-mail: sales@duma.co.il

March 2023

Electronic Autocollimator - E

UPGRADED

A versatile compact extremely accurate autocollimator



Dimensions are in mm.

Ordering Information

EAC-1012-19-E: Complete system including a collimator unit with USB3.0 camera, software on CD and a retro-reflector for infinity adjustment.

DUMA OPTRONICS LTD.



Website: <http://www.dumaoptronics.com>

E-mail: sales@duma.co.il

March 2023