

Electronic Autocollimator HR

A precise USB 3.0 device combining the functionality of autocollimator and alignment telescope



- High resolution of down to 0.01 arc sec or 0.05 μ rad, with clear aperture exceeding 60 mm.
- Built-in computer controlled laser pointer for easy alignment.
- Built-in Pan & Tilt adjusting mechanics.
- Hybrid autocollimator fusing together alignment & beam analysis.

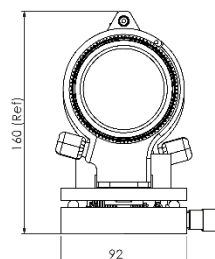
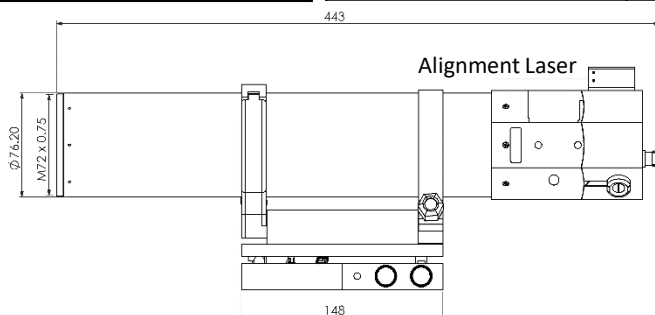
Specifications

FoV Autocollimator	$\pm 19'$ (H) x $\pm 12.5'$ (V)
FoV Telescope & Beam Profiler	$\pm 38'$ (H) x $\pm 25'$ (V)
Clear Aperture	62 mm
Autocollimator's Resolution	0.01 sec
Autocollimator's Accuracy	1.0 sec
Light Source	LED- 650, optional: 1060, RGB. Special order: 1310 nm
Retro-reflector for alignment	$\varnothing 64$ mm, N.W 280 g Thread $\varnothing 16$ mm, <5"
Min. Focusing Distance	Focused at Infinity
Built in coarse aiming Laser Pointer	638 nm power <1.0 mW Class 2 laser product, IEC60825-1
Spectral Response	350 - 1310 nm (Telescope Mode)
Resolution (H x V pixels)	1920 x 1200 sensor can be divided into multiple active areas, working in parallel for up to 400 sectors (NEW)

Gain Control	x24
Dynamic Range	60 dB , 12 bit
Exposure Speed	39 μ sec to 20 sec
Frame Rate	40 fps (8 bit) 30 fps (12 bit) – up to 550 fps@ fast mode (NEW)
Pixel Size	5.86 μ m x 5.86 μ m
Pixel Bit Depth	8/12 bits
Background Subtraction	User activated
Objective Aperture	M72 x 0.75 mm
Trigger	<ul style="list-style-type: none"> • Internal Software • Hardware Falling or Rising Edge • Trigger Delay 0.015ms - 4.0 sec
Pan & Tilt knobs	Tilt $\pm 2^\circ$, Pan $\pm 2.5^\circ$
Power Requirements	~ 2 Watt (Via USB 3.0 interface)
Dimensions (L x W x H) in mm	443 x 92 x 160
Weight (typical)	5 kg
Min. Hardware Requirements	CPU i3 1.6 GHz, 4 GB RAM Min. Resolution 1366 x 766
Interface	USB 3.0, Windows 7/8/10 (32 & 64 bit)
Operating Temperature	0 $^\circ$ – 35 $^\circ$ C

Ordering Information

EAC-HR: Complete system including a collimator unit with USB3.0 CCD camera, software on CD/Flash and a retro-reflector for infinity adjustment.



Dimensions are in mm.

Pan/Tilt Knobs

DUMA OPTRONICS LTD.

Website: <http://www.dumaoptronics.com>

E-mail: sales@duma.co.il

November 2020

