

SpotOn Through-Hole

NEW

Special Accessory for SpotOn Line

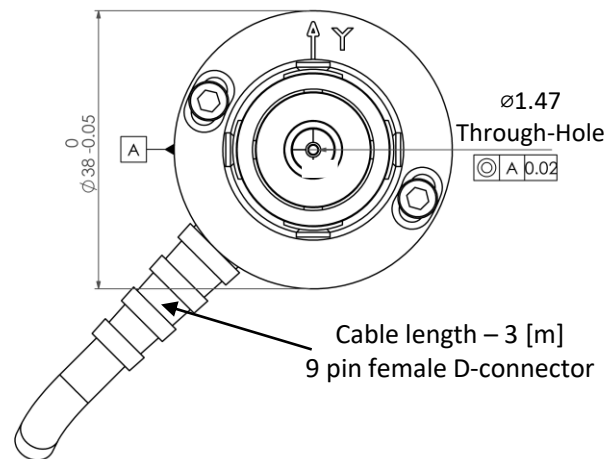
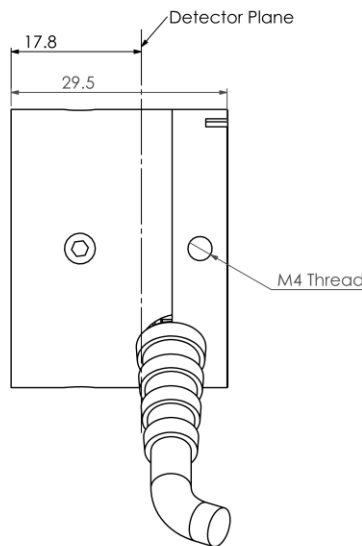
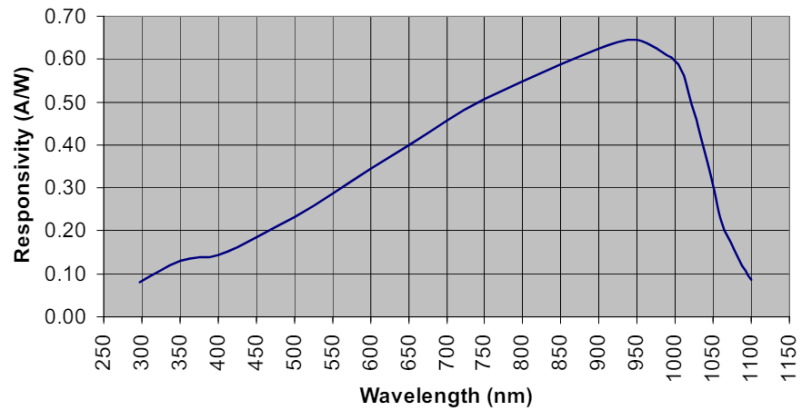


- The 4-Quadrant silicon photodiode with a through-hole, features high accuracy positioned concentrically within a hole in the external mechanical housing.
- Applications:
 - Emitter alignment
 - Position sensing, centering & nulling
 - Medical & Industrial
 - General Alignment

Specifications

Detector	Si PSD
Through-Hole Size	1.47 mm
Operating Temperature	0° - 50° C
Wavelength	350 - 1100 nm
Update Rate	Up to 100 Hz
Active Area	∅2.05 – ∅5.7 mm
Position Resolution	0.25%
GAD	0.13 mm
Power Range	10 μw – 10 mw with filters

Spectral Response



Body – Stainless Steel

Ordering Information

Compatible with SpotOn USB2.0 system (electronics box and software). Application software for Win 10/11 OS. DLL is available to control the hardware from customer's application.

SPOT-TRH: Sensor head in housing, with 3m long cable.

DUMA OPTRONICS LTD.

Website: <http://www.dumaoptronics.com>

E-mail: sales@duma.co.il

May 2024

