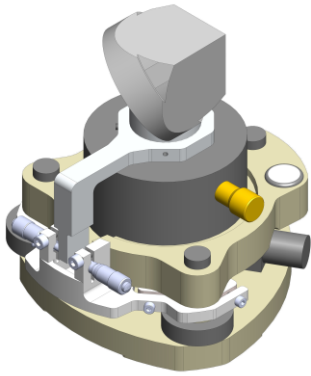
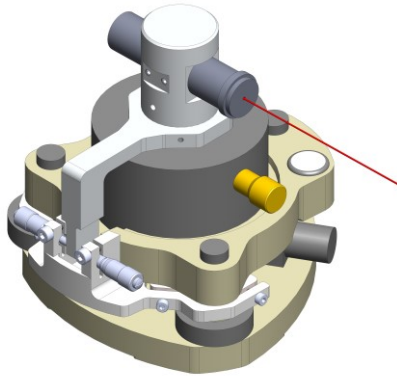


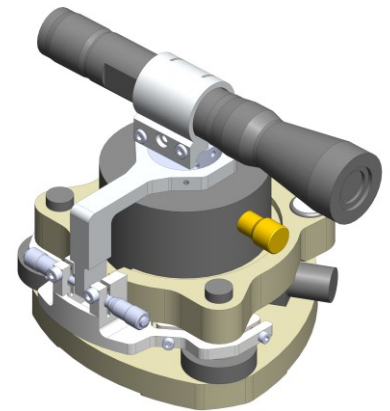
Alignment Accessories



Solid Corner Mirrors



Laser Alignment



Laser Beacon Alignment

	Solid Corner Mirrors	Laser Alignment	Laser Beacon
Adjustment Range	Pan: 360 degrees Tilt: 5 degrees Roll: 5 degrees Sub-second resolution	Pan: 360 degrees Tilt: 5 degrees Roll: 5 degrees Sub-second resolution	Pan: 360 degrees Tilt: 5 degrees Roll: 5 degrees Sub-second resolution
Technology	3 orthogonal mirror quality surfaces In between orthogonality: better than 3 seconds. Surface Quality: better than $\lambda/4$	Battery Operated Output power: 1 mWatt Beam Aperture: 3 mm FDA Safety Class: 1 Divergence: Less than 0.2 mRad	Battery Operated Output power: 20 mWatt Lens Aperture: 20 mm FDA Safety Class: 2M
Applications	<ul style="list-style-type: none"> Alignment using Autocollimators and mirrors Checking XYZ-axes orthogonality in mechanical structures and machines 	<ul style="list-style-type: none"> Checking structures' straightness Checking gantry stability Examining airplane wings straightness 	<ul style="list-style-type: none"> Measuring Tunnel Boring machine trajectory over several hundreds of meters Straightness measurement over a long haul

Alignment Accessories are conveniently based on a modified high-end Tribach allowing adjustment of pitch, yaw & roll with microradian precision. The system is equipped with a 5/8"-11 UNC thread allowing attachment to standard tripods or mechanical bases.

Ordering Information

SCM (Solid Corner Mirrors):

LAS (Laser Alignment System):

LBAS (Laser Beacon Alignment System):

including 3 orthogonal mirror quality surfaces.

including alignment quality laser.

including large aperture laser beacon.

DUMA OPTRONICS LTD.