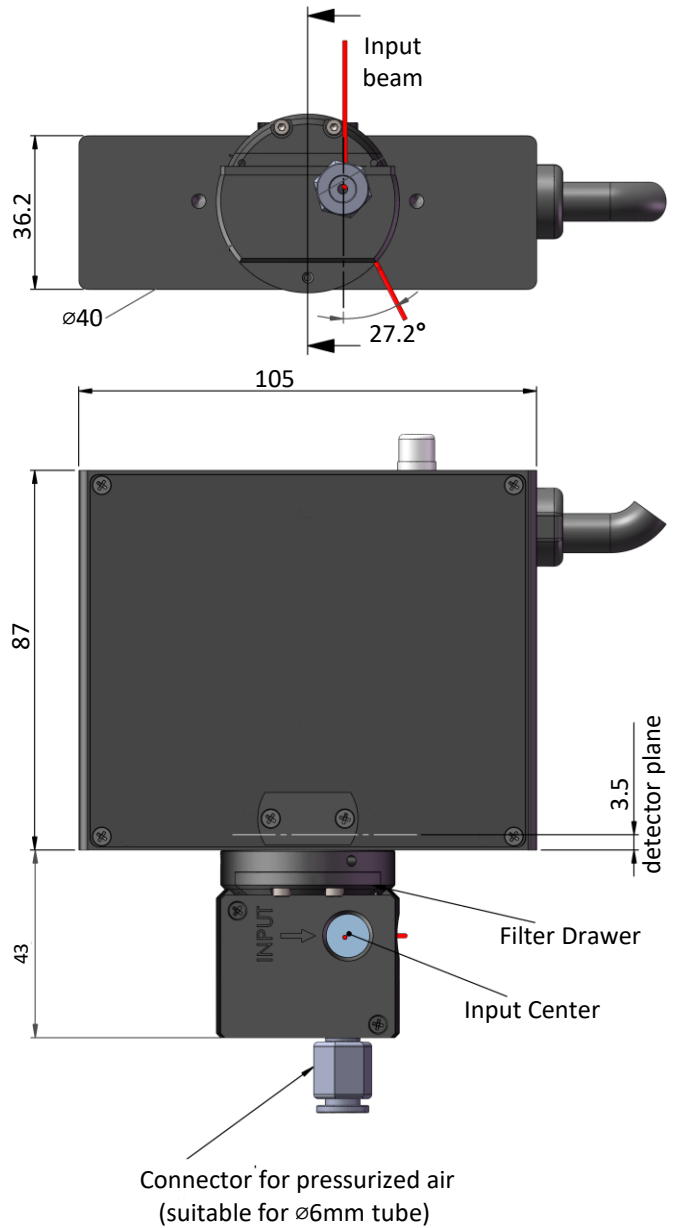
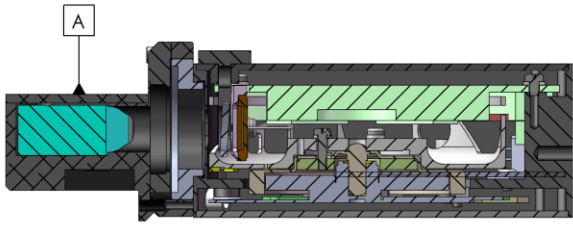


Beam Analyzer High Power



Optical distance from Input plane **A** to Detector Plane:
 41 ± 0.3

Warning: For focused beams, Focal Point must be at least 30 mm after input plane **A** (towards the sensor).

Focusing on input optics will damage the optical system!

DUMA OPTRONICS LTD.