

BeamOn LA U3 - E

UPGRADED

IPL (Intense Pulsed light) & Large Laser beams Beam Profiler



The BeamOn LA U3-E system is a beam diagnostics measurement system for real-time measurement of CW or Pulsed laser beams. It provides laser beam parameters, such as: beam width, shape, position, power, and intensity profiles. Software also provides report function for beam analysis settings and results.

Specifications

Spectral Response	350 - 1150 nm
Sensor Active area	∅60 mm (∅55 mm calibrated)
Resolution (H x V pixels)	1900 x 1200 (Global Shutter)
Exposure	32 µsec to 2 sec (By software)
Beam Resolution	Better than 100 µm
Beam Accuracy	±2%
Damage threshold	100 W/cm ² (Contact factory for continuous operation and cooling accessory)
Saturation	100 W/cm ² with ND1000 filter
Sensitivity	0.1 µW/cm ² at 633nm (VIS-NIR)

Cooling conditions	Filtered pressurized air of 6-8 Bar
Minimal beam size	∅5 mm
Frame Rate	> 25 fps (AOI)
Filter Slider Assembly	Built-in 5xND filters on a slider
Interface	USB 3.0
Pixel Bit Depth	16 bits
Synchronization	•Software •Hardware (external trigger signal)
Mounting	Built-in
Built-in slider filter	ND8, ND64, ND200, ND400, ND1000
Housing Size (L x W x H) in mm	218 x 172 x 113
Power Requirements	~2 Watt (Via USB 3.0 interface)
Weight (typical)	1.1 kg with cable

The application program is compatible with Windows 7/8/10 OS (32 & 64 bit). For custom integration, an SDK package software is offered as standard.

Ordering Information

The system comes with sensor head, a built-in filter slider with a set of 5xND filters, USB3.0 cable, software and user manual on CD / Flash Drive, carrying case.

BeamOn-LA-U3-E: for spectral range 350-1150 nm

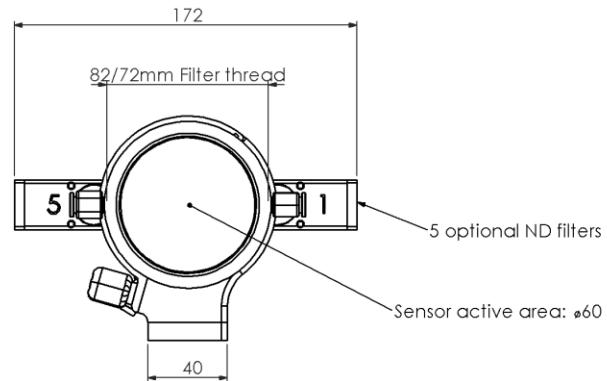
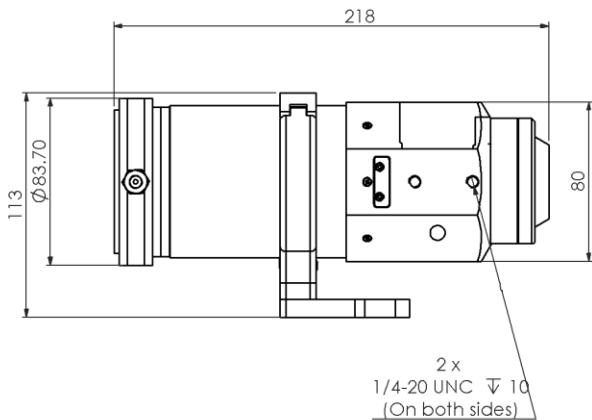
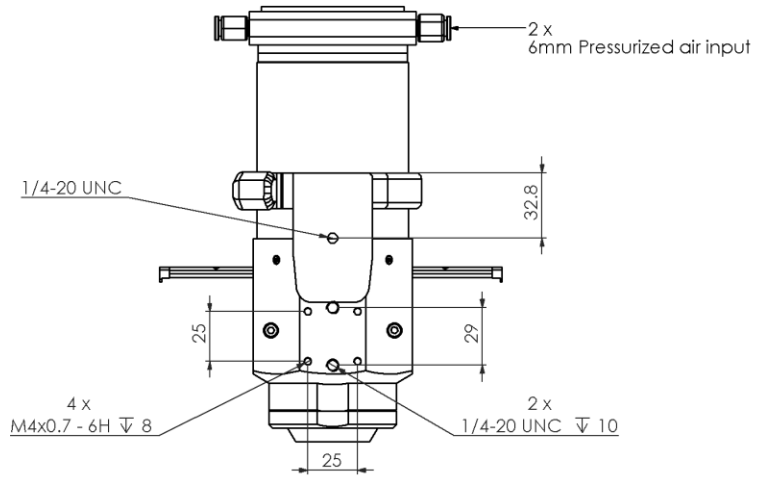
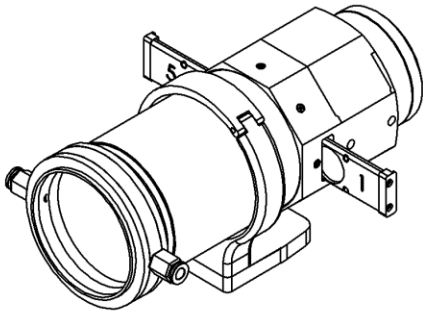
DUMA OPTRONICS LTD.



BeamOn LA U3 - E

UPGRADED

IPL (Intense Pulsed light) & Large Laser beams Beam Profiler
with Air Cooling



Dimensions are in mm.

DUMA OPTRONICS LTD.

Website: <http://www.dumaoptronics.com>

E-mail: sales@duma.co.il

July 2023

