

Beam Analyzer IR10

NEW

Features

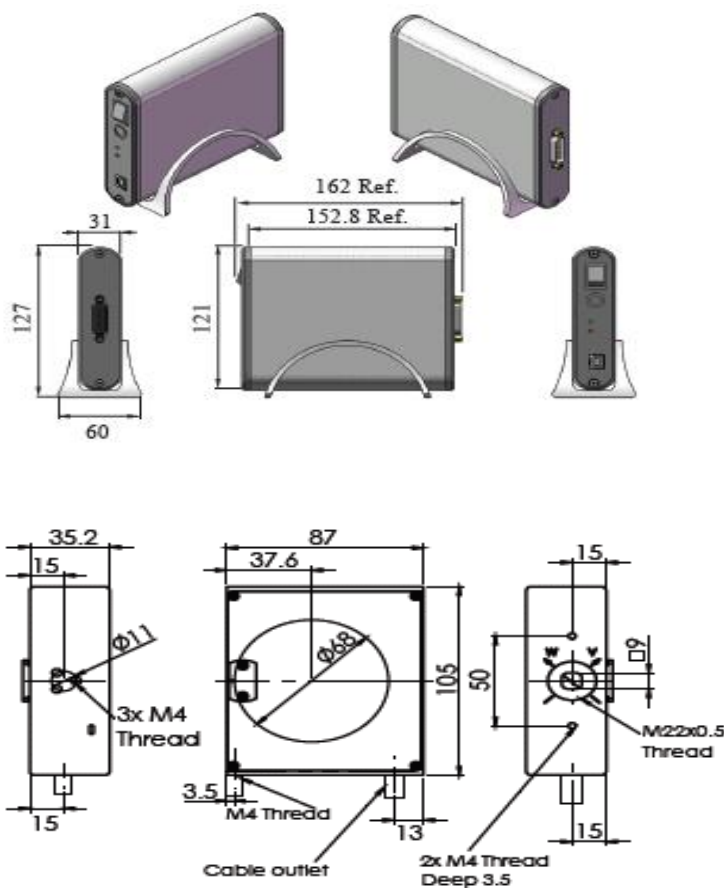
-Beam Analyzer USB system based on 10 mm dia. InGaAs sensor.

-BA7 InGaAs is a bridging technology offering high resolution measurements, producing 3-D intensity reconstructed profile similar to images obtained from C-MOS camera.

-Device belonging to [Beam Analyzer USB](#) family.

Specifications

Sensor Type	InGaAs (IR)
Spectral Range	IR: 800-1800 nm
Number of Blades	7
Beam Size Range	15 μ m to 10 mm (detector size- 10 mm)
Beam-width resolution	For beams > 100 μ m in size: 1 μ m. For beams <100 μ m in size: 0.1 μ m
Beam-width accuracy	\pm 2%
Power Range	10 μ W to 5 mW (no filters)
Power Accuracy	\pm 10%
Position Resolution	For beams > 100 μ m in size: 1 μ m. For beams <100 μ m in size: 0.1 μ m
Position Accuracy	\pm 15 μ m
Saturation	0.1 W/cm ² without filter
Measurement Rate	5 Hz
Weight	Sensor head with cable - 755 gr, manifold box 350 gr
Operating Temperature	0° – 35° C
PC Interface	USB 2.0 (PCI optional)
Accessories	SAM3-B Beam Sampler: with mounting adapter. Sampling reduction factor 0.0016 average BA-Fiber: A fiber adapter with an FC connector



Ordering Information

Model BA7-IR10-USB: A camera for 800 – 1800 nm, a set of interchangeable filters NG4 & NG9, USB2.0 cable, software and user manual on CD/Flash Disc, carrying case.
For high power application, order SAM3-B Beam Sampler.

Note: The device should be handled carefully when exposed to high power, not exceeding 5 seconds continuously.

DUMA OPTRONICS LTD.

Website: <http://www.dumaoptronics.com>

E-mail: sales@duma.co.il

September 2019