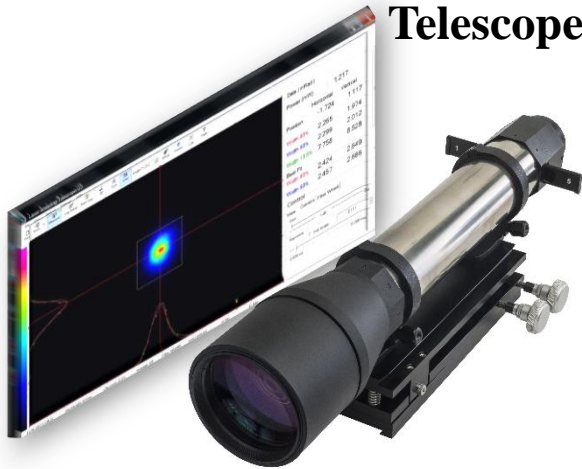


Laser Analyzing Telescope

Innovative Optical Laser Measurement Telescope for Angular Analysis



Main Features:

- Analyzes angular directions and collimation of light beams and lasers
- Versatile – Measures Profile, Power and Angular Position
- Complete test station with built-in Filter Slider
- Extremely accurate
- Built-in Pan\Tilt Mechanics
- Excellent for boresighting between several parallax lasers

Main Specifications:

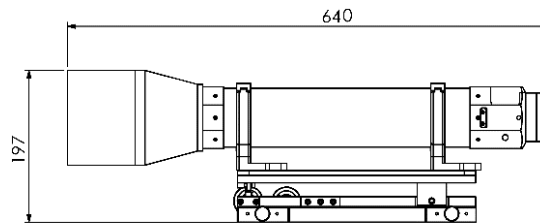
New advances in software including full beam profiling analysis

Spectral Response	350 - 1600 nm (user selectable)
Field of View	± 5 mrad
Clear Aperture	100 mm
Gain Control	1-24 dB
Shutter Speed	39 μ sec to 20 sec
Resolution	± 1 μ rad
Accuracy	10 μ rad
Filter Slider Assembly	<ul style="list-style-type: none"> • ND8 • ND64 • ND200 • ND1000 • ND100000

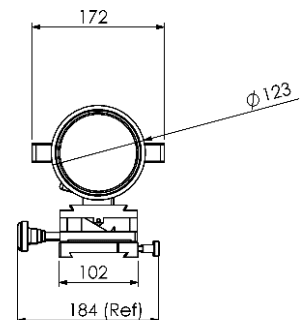
Mounting	Built-in Pan/Tilt
Frame Rate	> 25 fps (AOI)
Pan & Tilt knobs	Tilt $\pm 2^\circ$, Pan $\pm 2.5^\circ$
Interface	USB 3.0
Pixel Bit Depth	12 bits
Synchronization	<ul style="list-style-type: none"> •Software •Hardware (external trigger signal)
Exposure Control	Programmable via GUI
Housing Size (L x W x H) in mm	640 x 172 x 197
Power Requirements	~ 2 Watt (Via USB 3.0 interface)
Weight (typical)	6.5 kg

Ordering Information:

Model LAT-U3: A camera for 350 – 1600 nm with built-in filter slider, USB 3.0 cable, application software on CD/Flash Memory, carrying case.



Dimensions are in mm.



DUMA OPTRONICS LTD.