

BeamOn Accessories



Focusing on your applications

- Duma Optronics offers a new line of beam profilers and beam sampling accessories. The high precision line of instruments is capable of analyzing laser beams over a wider range of power levels, from nanoWatts to hundreds of Watts. Laser beams with diameters from 100 μm and up to 13mmx10mm, can be analyzed.
- Designed as mountable accessories, a miniature optical table (MOUNTB) is provided for mounting the BeamOn and various accessories.

The basic configurations are as follows:

	Power level	Max Beam size	Pixel size
BeamOn+SAM1	10W	6.4X4.8mm	8.6xX8.3 μm
BeamOn+SAM2	100W	6.4X4.8mm	8.6xX8.3 μm
BeamOn+RDC+Filters(x2)	~50mW	13X10mm	17.2X16.6 μm
BeamOn+RDC+SAM1	10W	13X10mm	17.2X16.6 μm
BeamOn+RDC+SAM2	100W	13X10mm	17.2X16.6 μm



DUMA OPTRONICS LTD.

1st Hazait St., P.O.Box 3370 Neshar 20306, Israel Tel:972-4-8200577 Fax: 972-4-8204190
 Website:<http://www.duma.co.il> E-mail:sales@duma.co.il



Beam On Accessories

The provided beam samplers are offered in two models:

1. Polarizing with fixed sampling ratio of about 3×10^{-3} from 350nm-1100nm
2. Non-Polarizing with fixed sampling ratio of about 1×10^{-6} from 350nm-1100nm

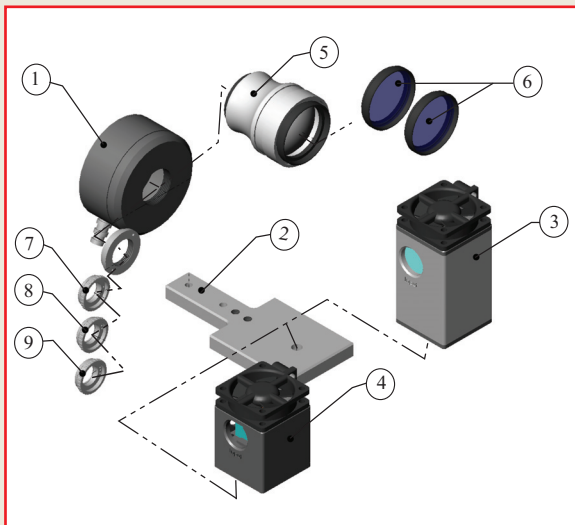
Notes: - Special versions are available for the UV range

- Max power in use with these samples is 100 W/cm^2
- These devices are designed to support the Beam Analyzer product line as well

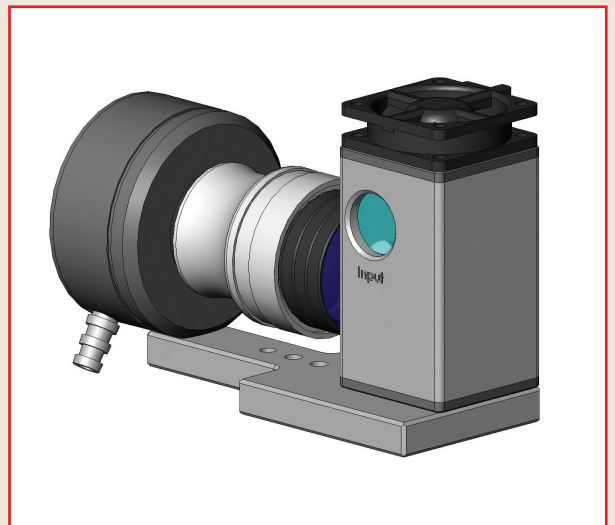
The provided **Beam Reducer (RDC)** accurately reduces the beam by a factor of 1X2 at the visible range. This feature is supported by a software parameter and is useful only for collimated laser beams.

Functionality

Combining the various accessories according to the schematic block diagram provides the most powerful system for direct laser beam analysis over a wide range of power and beam sizes. For analysis of microscopic beams please refer to the μ Beam system (Special beam profiler system).



1 - BeamOn; 2 - MOUNTB; 3 - SAM2; 4 - SAM1;
5 - RDC; 6 - RDC-Filter; 7 - 9 - BeamOn Filters



BeamOn mounted on MOUNTB with RDC+Filters and SAM2

Ordering Information:

MOUNTB	Mounting base for BeamOn and accessories
SAM2 (*)	SAM2 beam sampler (ratio of 1×10^{-6})
SAM1(*)	SAM1 beam sampler (ratio of 3×10^{-3})
RDC	Beam Reducer 2X1
RDC-FILT	Filter mounted on beam reducer, X8 type
(*)	Power supply for built-in fan is included.

Note: Custom RDC X 3.5 is optional, enables beam reducing by a factor of 1 X 3.5 at the VIS range. Contact factory

Mechanical dimensions:

MOUNTB:	118x54x10mm
SAM2:	40x40x69mm
SAM1:	40x40x43mm
RDC:	$\varnothing 45 \text{ mm} \times 35 \text{ mm}$
RDC-FILT:	$\varnothing 37 \text{ mm}$



DUMA OPTRONICS LTD.

1st Hazait St., P.O.Box 3370 Neshar 20306, Israel Tel:972-4-8200577 Fax: 972-4-8204190
Website: <http://www.duma.co.il> E-mail: sales@duma.co.il