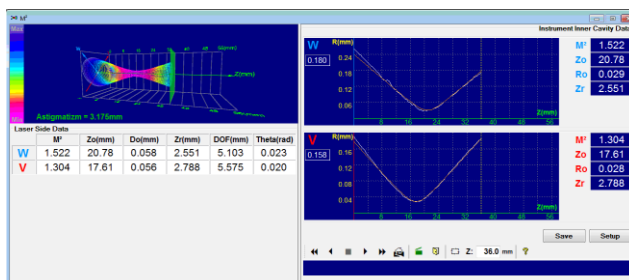
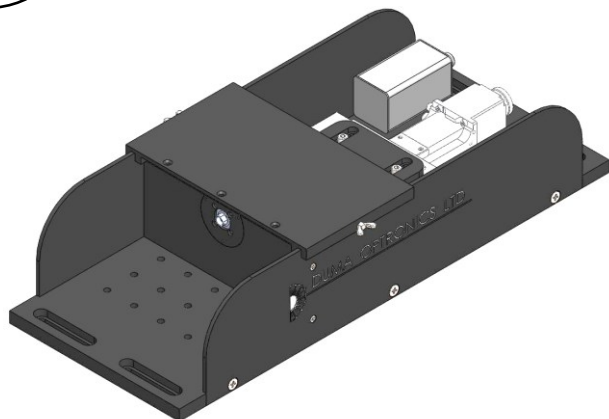


M², FocusGage – BA

NEW

Advanced High Divergence Laser Beam Analyzing for LD & Fiber Optics



Specifications

Input Beam

Input aperture	9 mm (max. beam size)
Minimum focused beam size	10 microns (Warning: Beam should be positioned within measuring range per attached drawing)
Measuring Method	Tomographic Knife-edge beam reconstruction – see Tutorial Fundamentals of Laser Beam Measurements Mounted on an accurate 50 mm linear stage
Measuring Parameters	Beam Size, Power, 2D – 3D Beam Profile specific location
Beam Propagation Parameters	BPP over up to 50 mm range, M ² and depth of focus along propagation direction, see Tutorial Fundamentals of M2 Beam Propagation
Resolution	Better than 1 micron @ waist position
Position Accuracy Measurement	Better than ±5 microns
Optional	ND Filters according to application
Spectral Range	800 – 1800 nm (IR10 version) 350 – 1100 nm (VIS Version)
Beam Power Range	Up to 1W with appropriate filter CW Lasers only
Number of Knife-edges	7
Divergence Angle	Max. ± 35 degrees

Accuracy:
M² Value: ±5%
Position Accuracy along propagation axis ± 10 micron
Resolution: 1 microns
Angle Measurement Accuracy: Typical better than ±3%

Main Features

- A unique instrument for measuring laser diodes, fiber optics & high divergence beams.
- Small & Large beam measurement at waist position, down to 10 microns.

Software Features

- Real-time M², BPP & Divergence measurements of focused beams.
- Automatic measurement by a moving stage along 50 mm (Maximum measured beam propagation).
- Data logging and detailed statistics.
- ActiveX package to control software from your application.
- Detailed analysis of beam selected by the user.

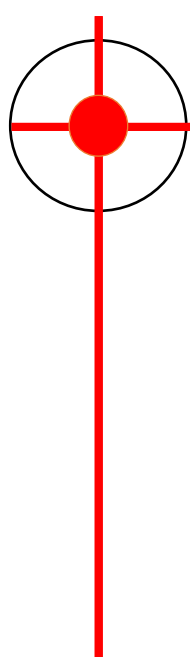
DUMA OPTRONICS LTD.



Website: <http://www.dumaoptronics.com>

E-mail: sales@duma.co.il

January 2023

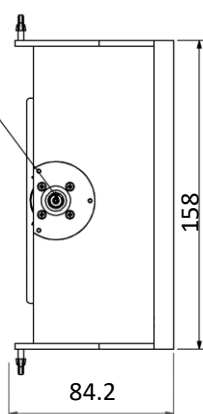


M², FocusGage – BA

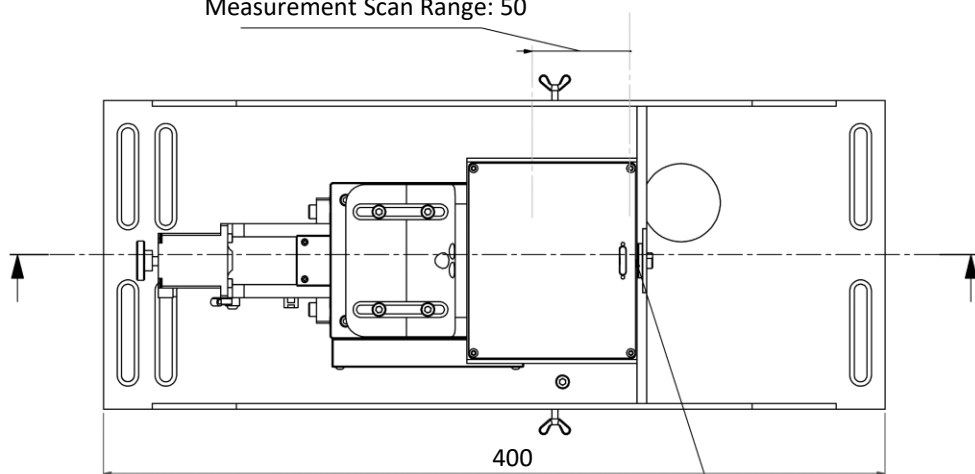
NEW

Advanced High Divergence Laser Beam Analyzing for LD & Fiber Optics

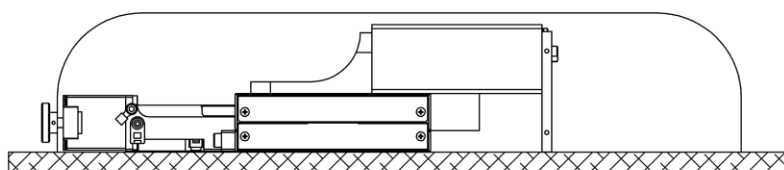
Interchangeable Fiber Optic Adaptor or laser diode adaptor



Measurement Scan Range: 50



Interchangeable BA Head compatible with Head for M2Beam



Dimensions are in mm.

Ordering Information

The measuring head is interchangeable with M2Beam and can be operated as a full system (Silicone Version, for InGaAs version contact factory).

M² FG/BA-VIS (350-1100 nm)

M² FG/BA-IR (800-1800 nm)

DUMA OPTRONICS LTD.



Website: <http://www.dumaoptronics.com>

E-mail: sales@duma.co.il

January 2023

