

Rhomboidal Laser Projection Tool

Projecting the built-in Autocollimator to the center of Aperture

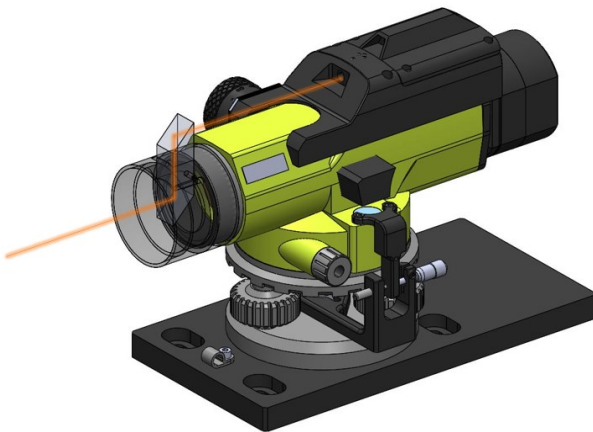
NEW

- By easily mounting our new rhomboid on the mechanical ring of the aperture you significantly expand the working area of this aperture. Moreover, by rotating the rhomboid you can actually direct it to the area which you want the autocollimator to momentarily analyze.

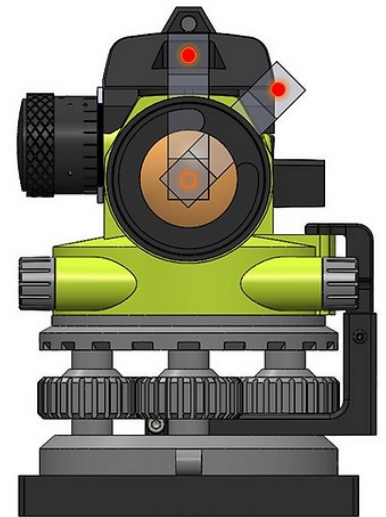
- Compatible with the following models:

- EAC-1012-19/E
- EAC-1012-L19/E
- EAC-1012-19-FO/E
- EAC-1012-19-XR

Flipped Rhomboid Attachment to allow expansion of input aperture by parallel offsetting the laser input



Rhomboidal Element in its original position transferring the built-in laser beam to coincide with the autocollimator's line of sight



Rhomboidal Element in two different positions representing adjustability according to customer needs

Ordering Information

EAC-1012-19-RHO23: Attachment for initial alignment based on rhomboid optics.

DUMA OPTRONICS LTD.

Website: <http://www.dumaoptronics.com>

E-mail: sales@duma.co.il

March 2023



Rhomboidal Laser Projection Tool

Projecting the built-in Autocollimator to the center of Aperture



- This device further facilitates initial alignment of the Autocollimator by projecting the built-in laser to exit at the center of the aperture.
- Compatible with the following models:
 - EAC-1012-19/E
 - EAC-1012-L19/E
 - EAC-1012-19-FO/E
 - EAC-1012-19-XR



Ordering Information

EAC-1012-19-RHO: Attachment for initial alignment based on rhomboid optics.

DUMA OPTRONICS LTD.

Website: <http://www.dumaoptronics.com>

E-mail: sales@duma.co.il

March 2023

